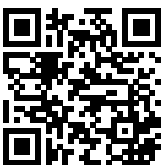


# **Red Sea REEFER™**

625 G2

---

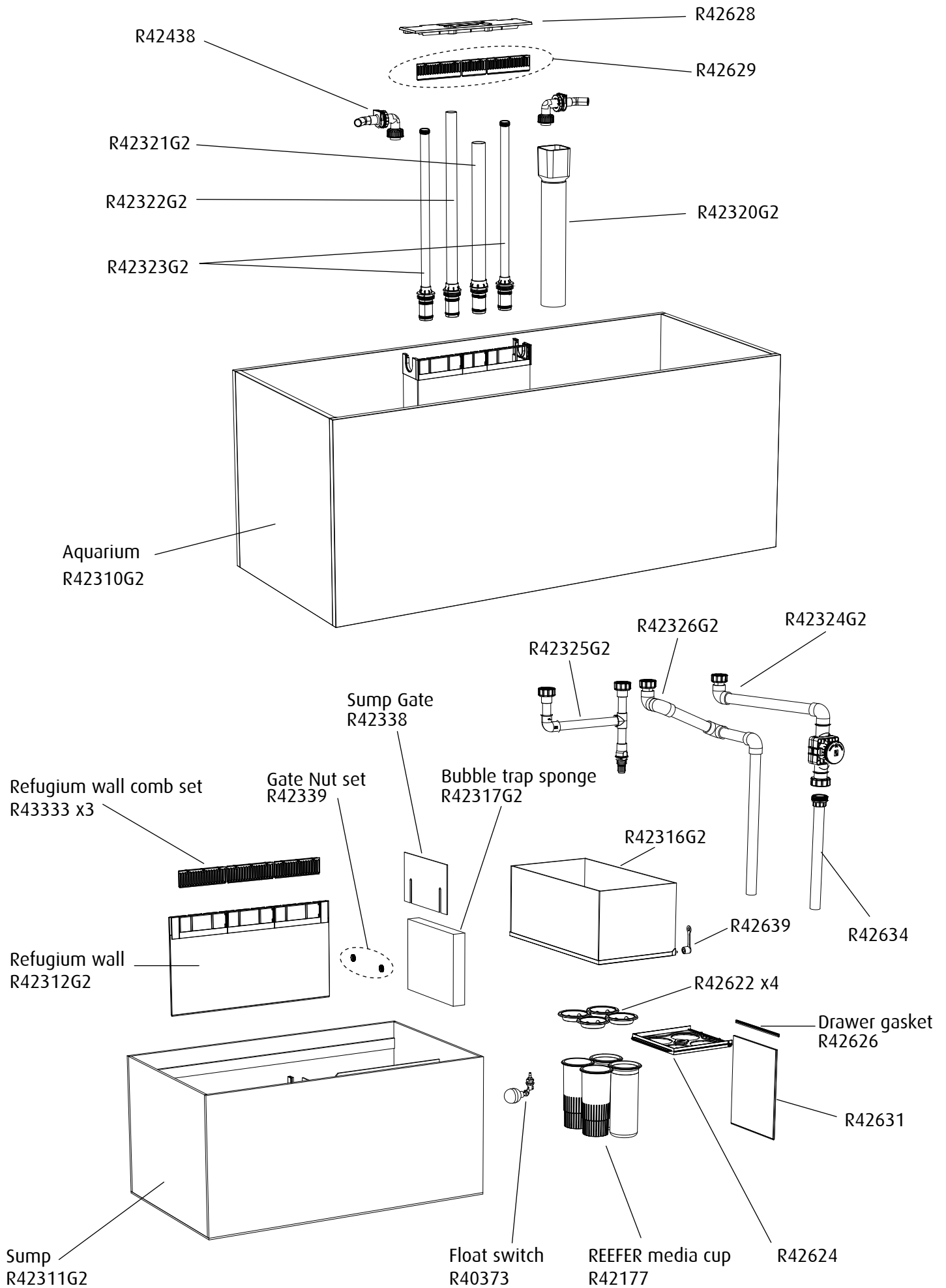
Aquarium & Cabinet Assembly Manual



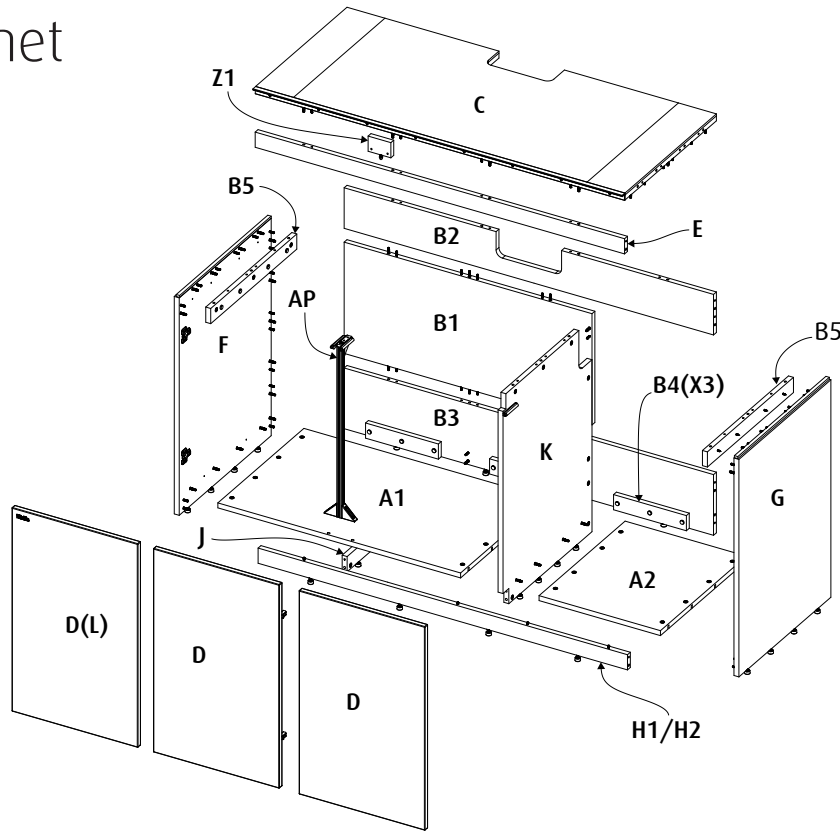
Resource & Support Center:  
[www.redseafish.com/support/](http://www.redseafish.com/support/)



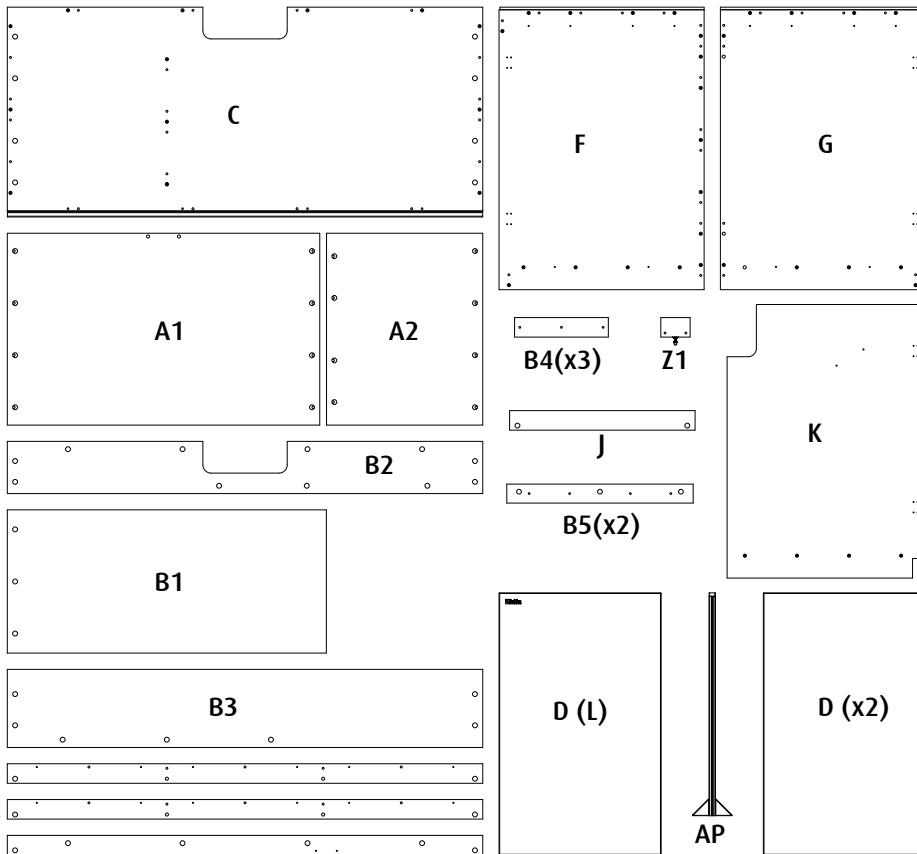
# Aquarium Water Management System



# Cabinet

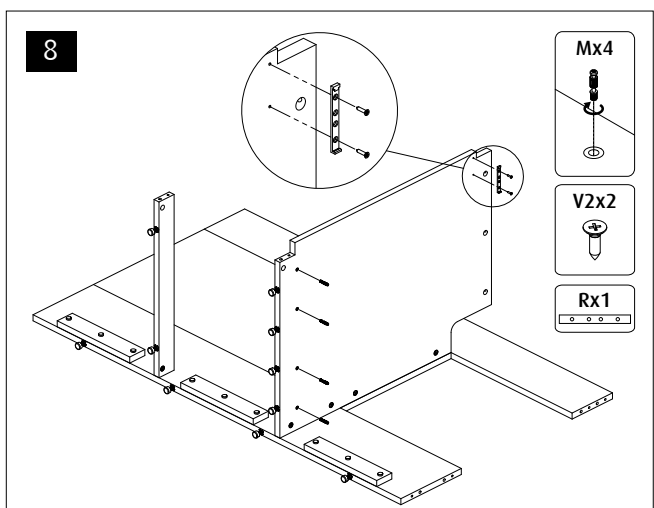
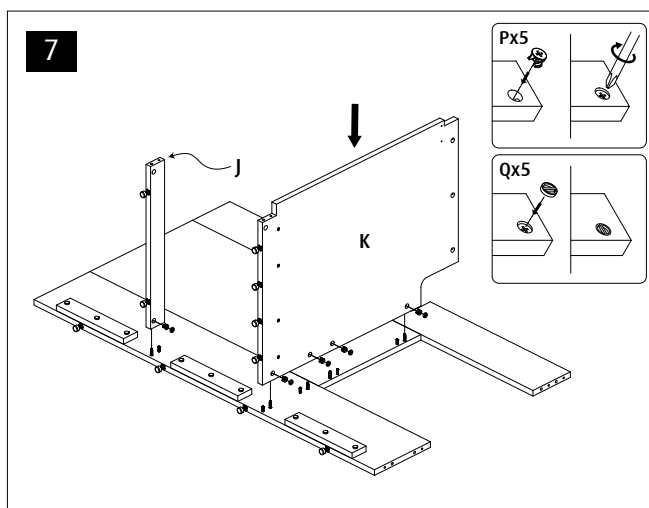
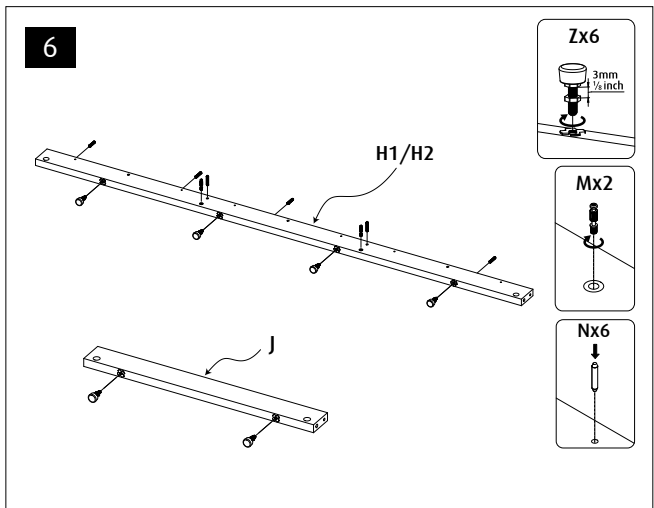
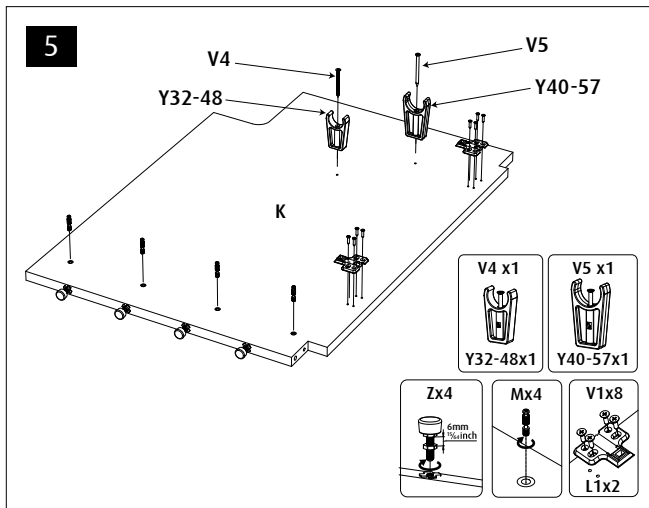
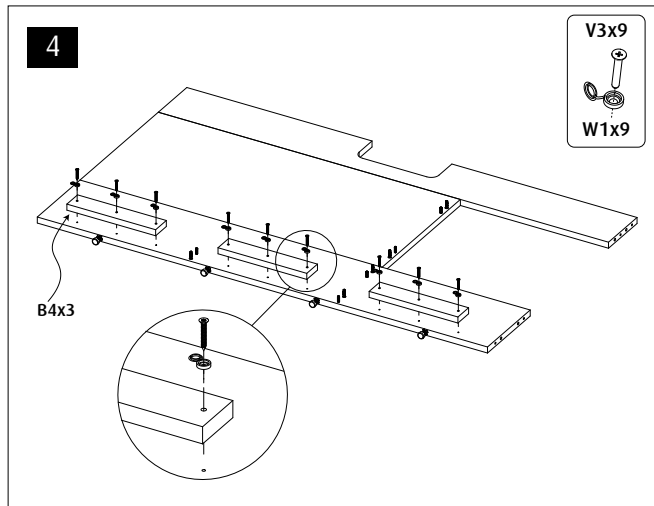
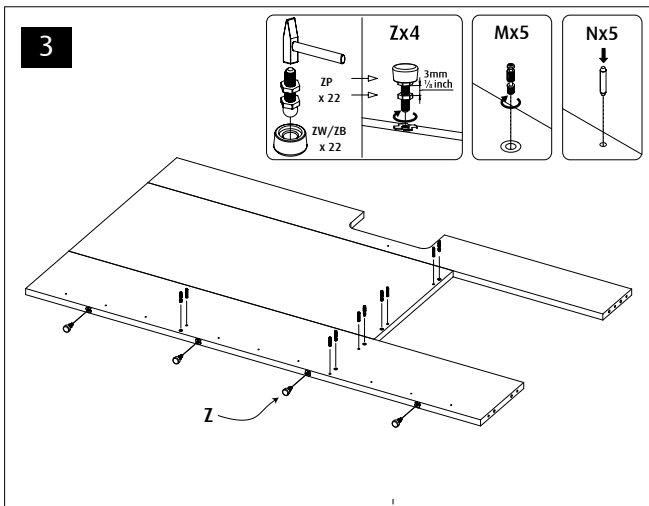
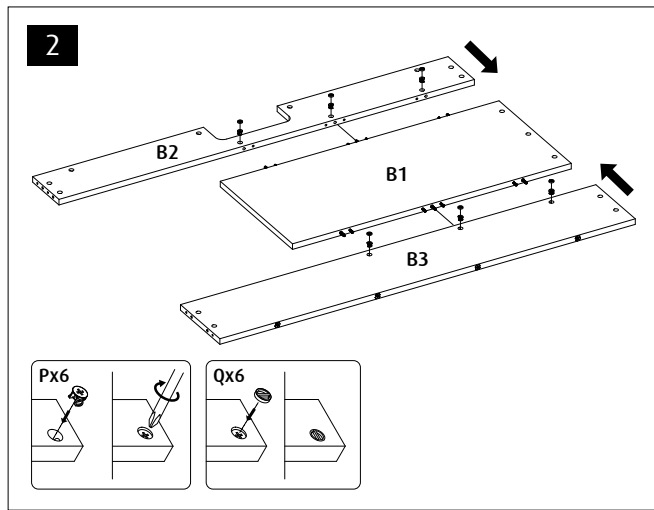
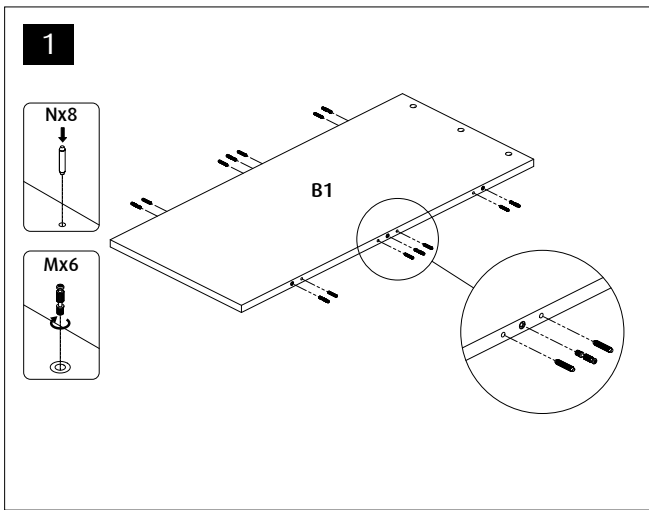


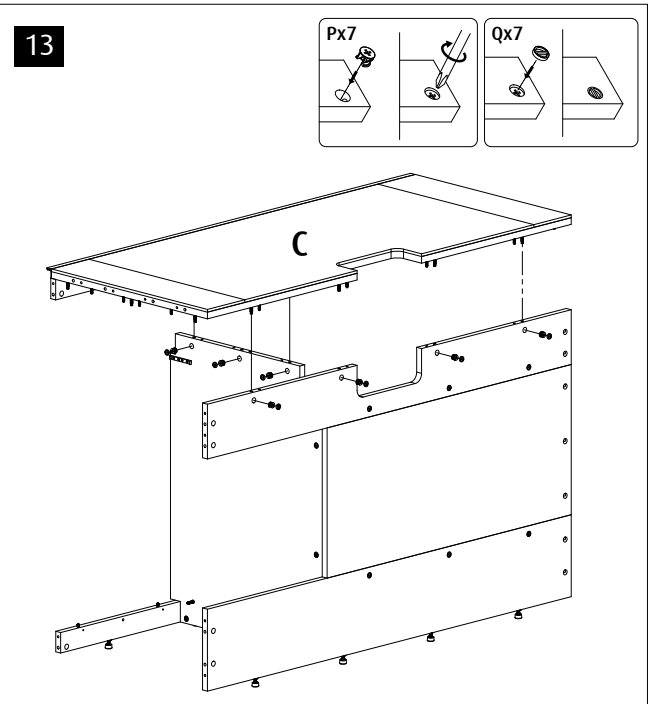
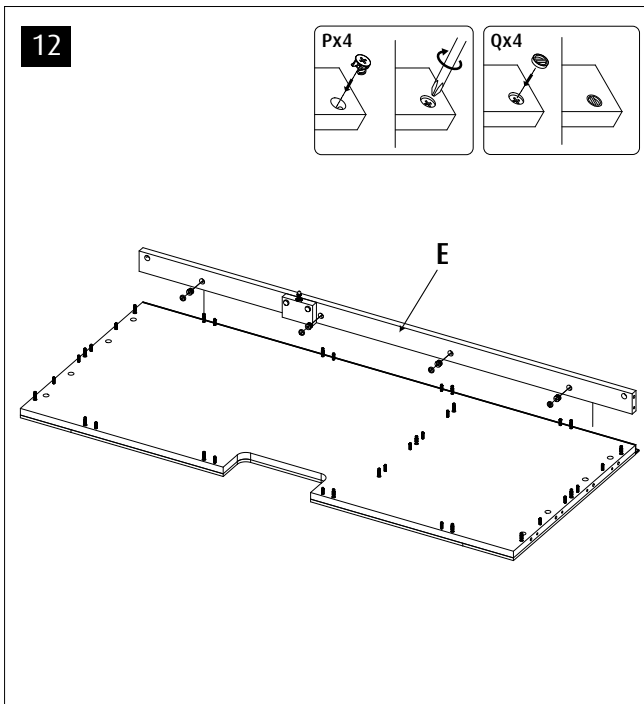
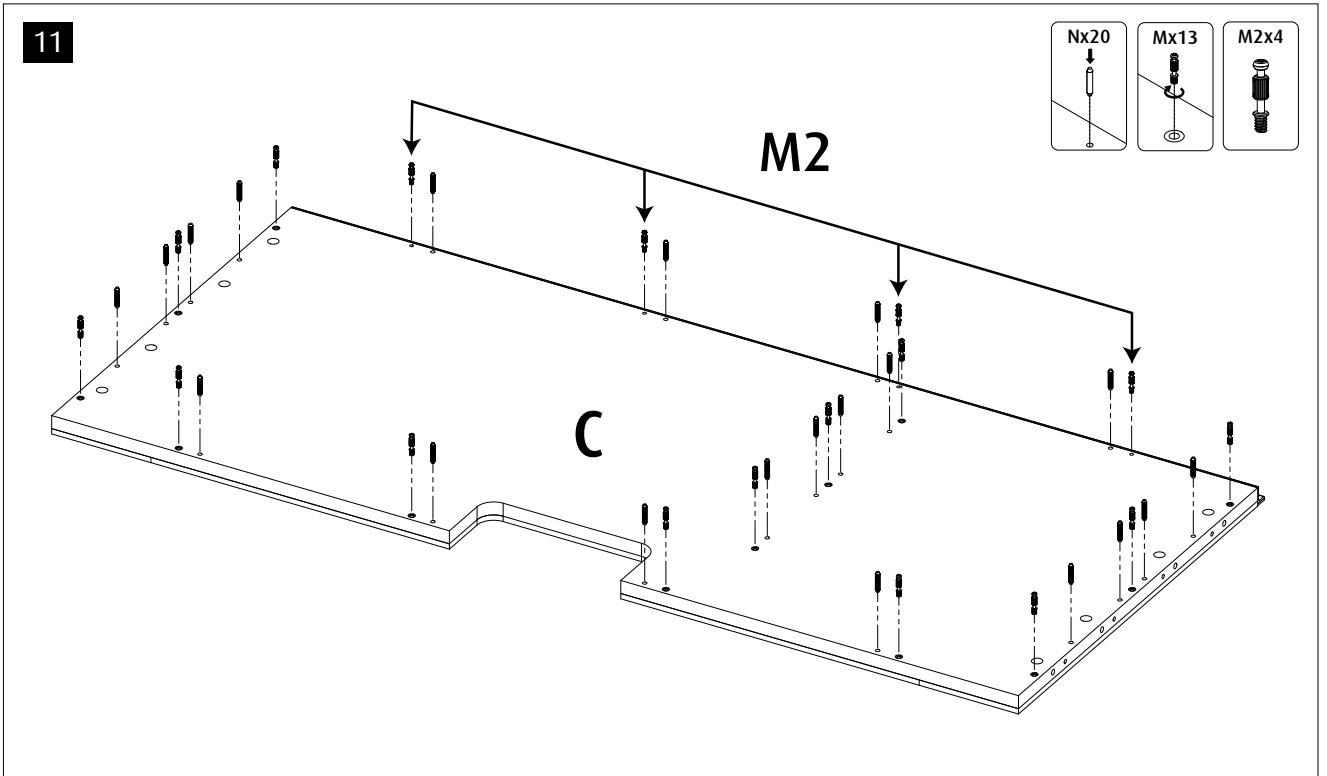
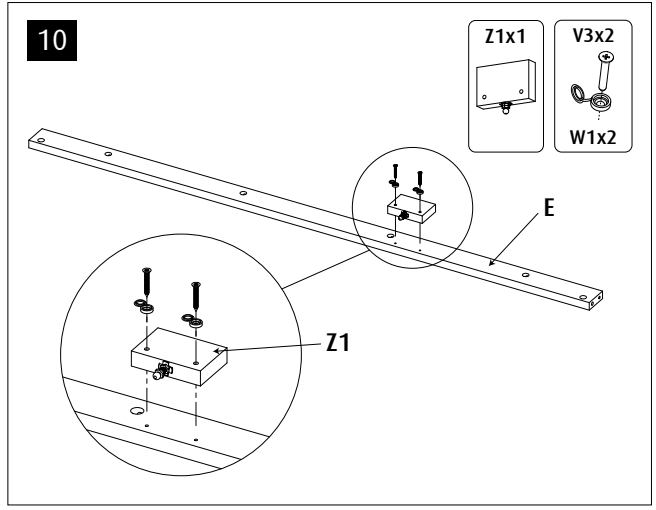
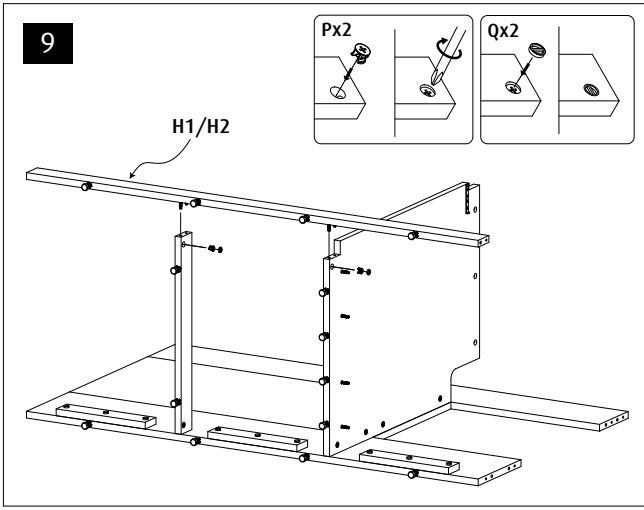
L1		L2		6		
N				63		
M				65		
M2				4		
P				69		
Q				69		
R				1		
S				3		
T1				1		
T2				3		
V1				36		
V2				2		
V3				19		
V4				1		
V5				1		
V6				1		
V7				2		
W1				19		
Y40-57				1		
Y32-48				1		
Z1				1		
ZP		ZW		ZB		22

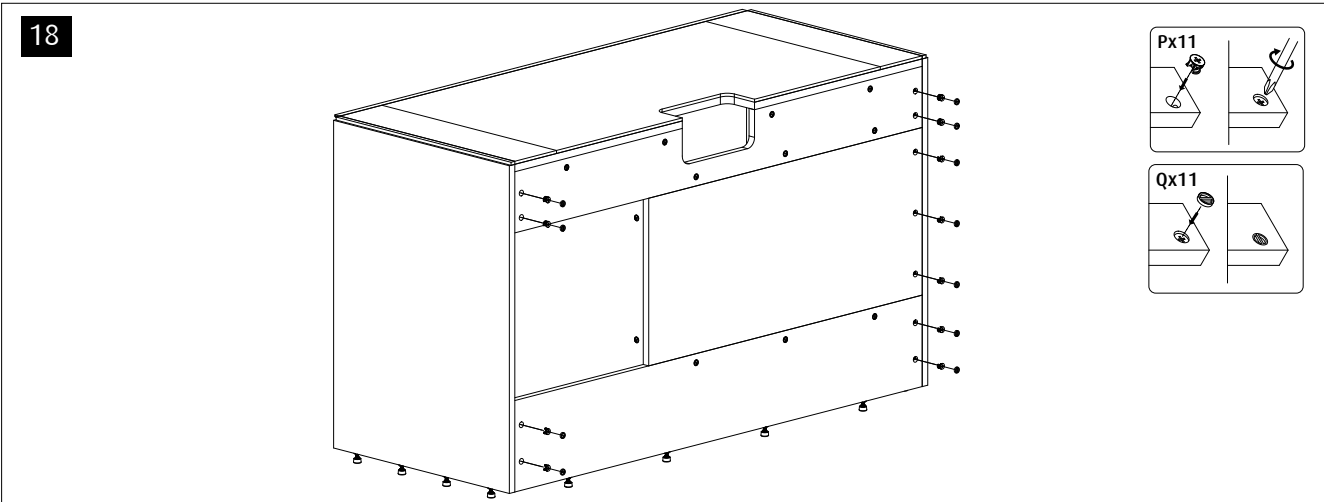
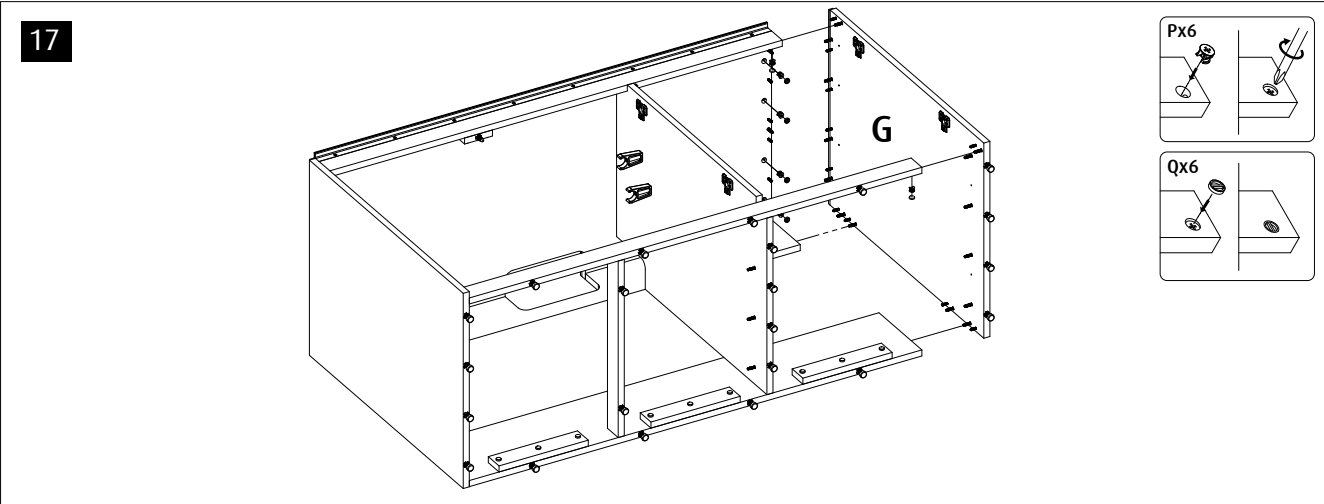
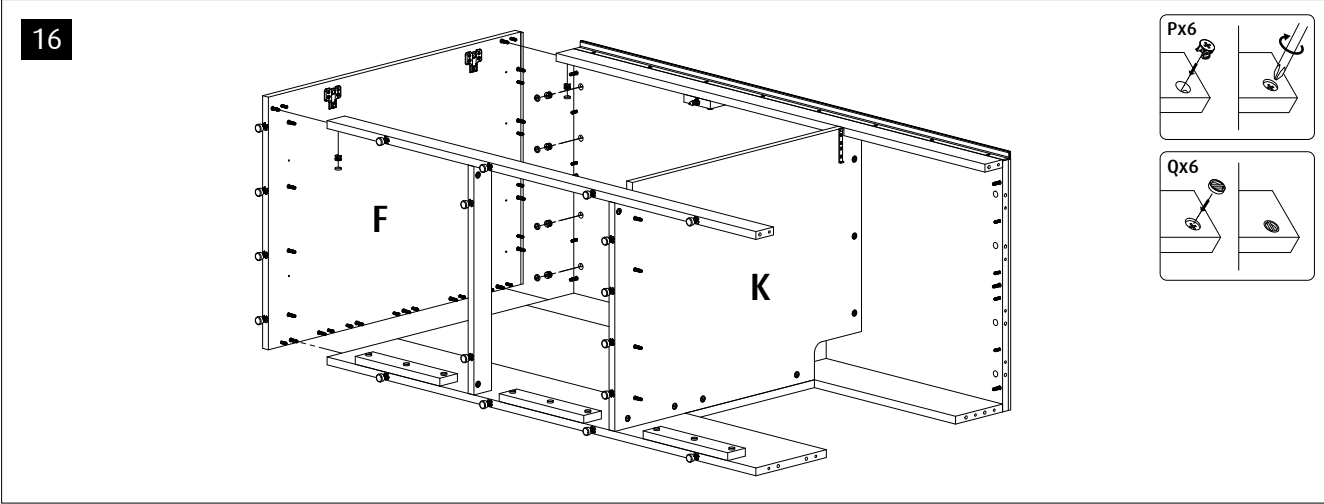
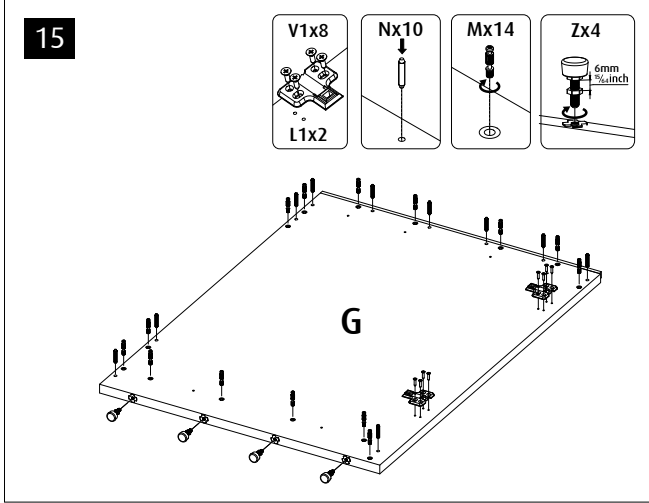
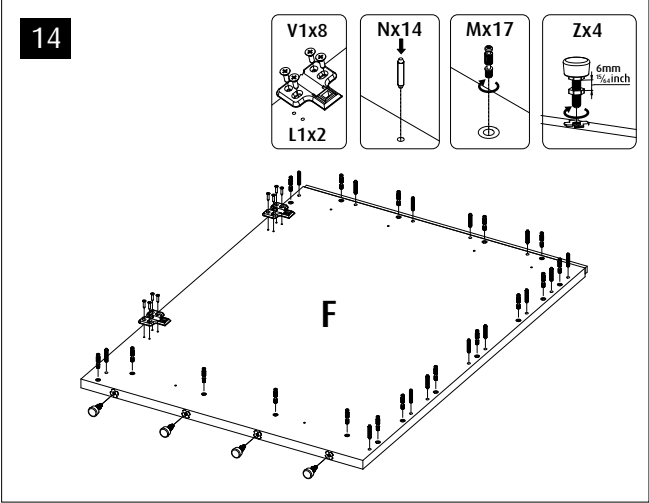


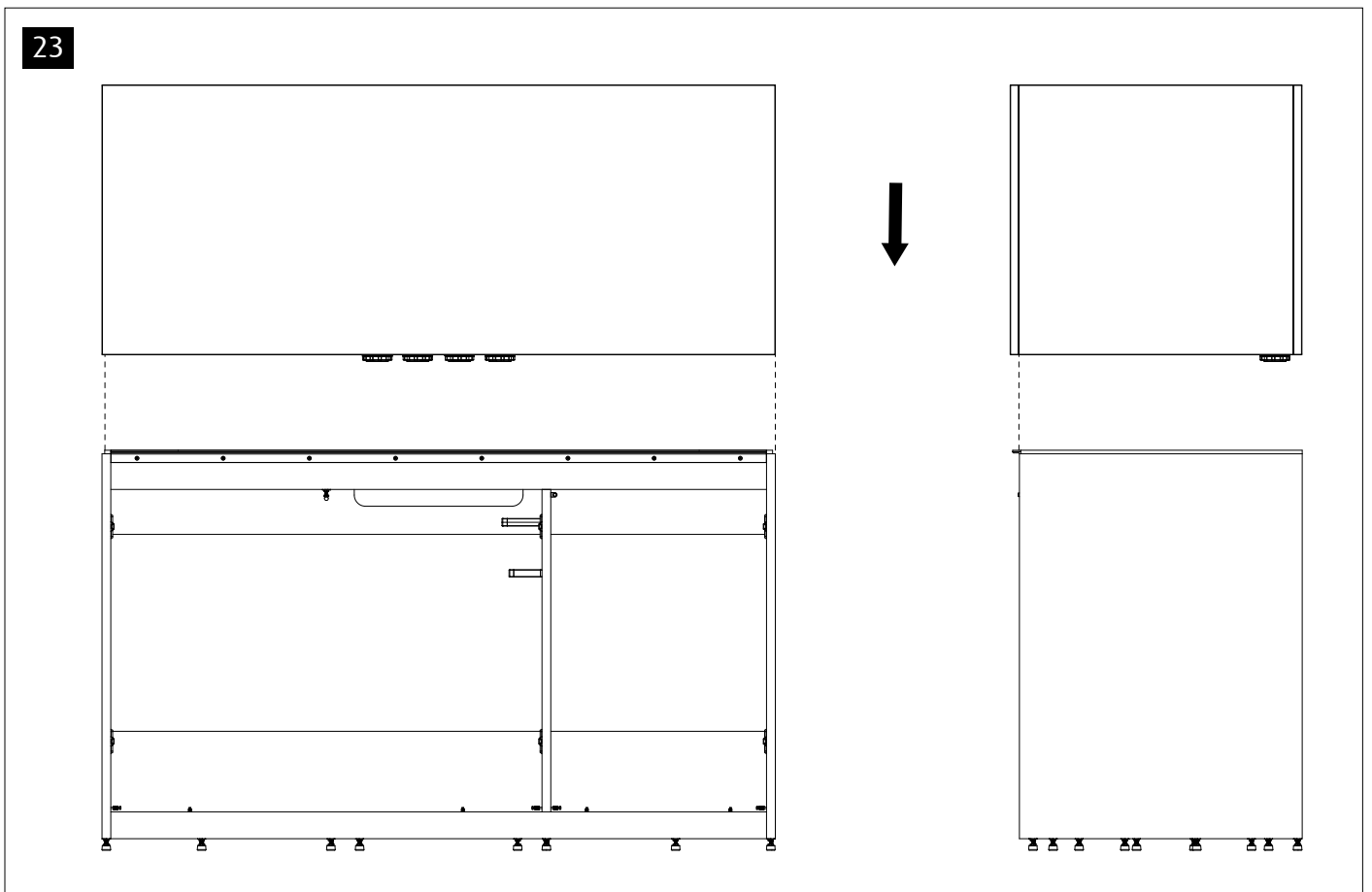
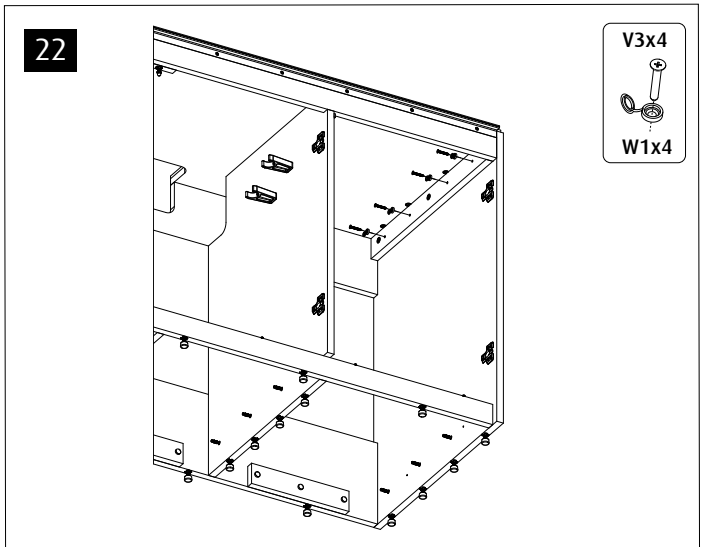
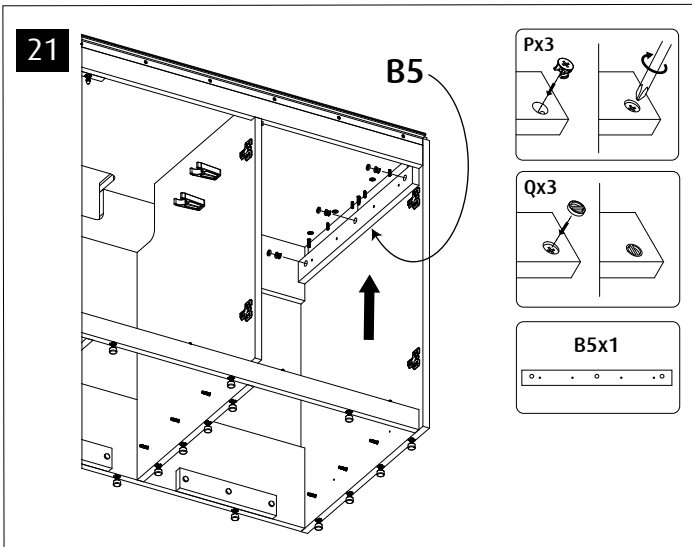
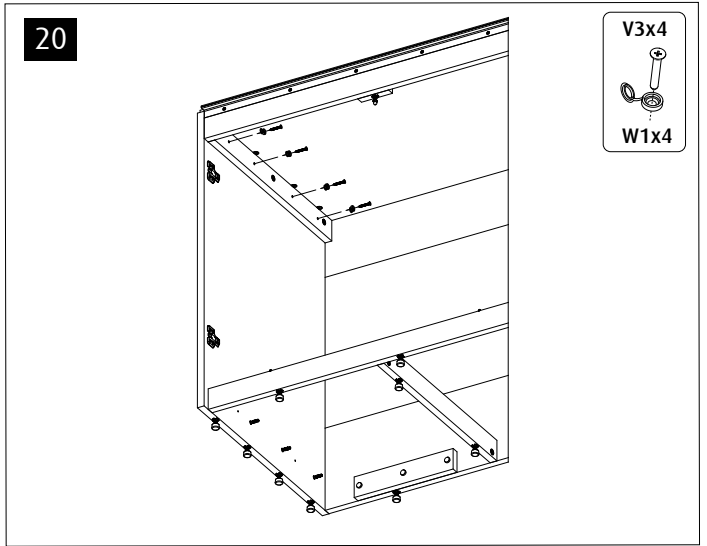
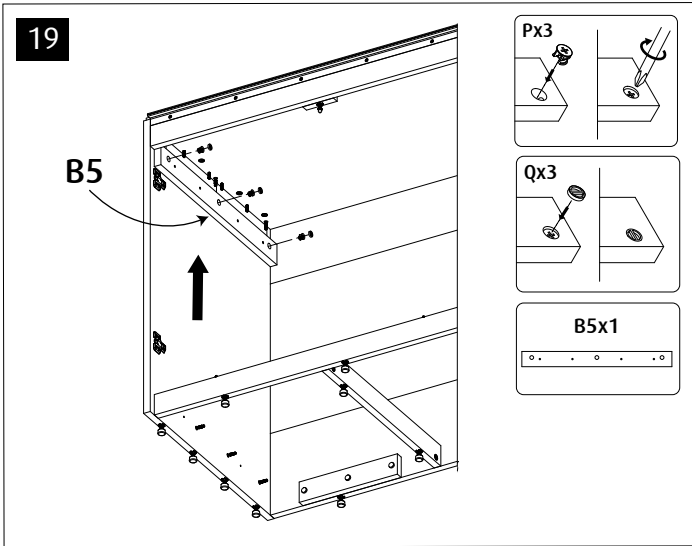
625 G2	Black	White	Part Description
A1	6138A-B	6138A-B	Cabinet Bottom sump
A2	6139A-B	6139A-B	Cabinet Bottom Chiller
AP	R42495	R42495	Reefer Cabinet front support
B1	5304A-B	5304A-B	Cabinet Rear Middle
B2	5305G2	5305G2	Cabinet Rear Top
B3	5306A-B	5306A-B	Cabinet Rear Bottom
B4	6132B	6132B	Cabinet Rear Base support x3
B5	7429G2	7429G2	Cabinet Side Top support
C	6137G2	6137G2	Cabinet Top

625 G2	Black	White	Part Description
D	5307B	5307W	Cabinet Door x3
E	5309A-B	5309A-B	Cabinet Front Upper
F	7443A-B	7443A-WB	Cabinet Side Left (Packed with Doors)
G	7444A-B	7444A-WB	Cabinet Side Right (Packed with Doors)
H1	5303A-B	5303A-B	Cabinet Sockel Blk
H2	5303A-WB	5303A-WB	Cabinet Sockel Wht
J	6135B	6135B	XXL Cabinet Base Mid Support
K	7440G2	7440G2	Cabinet Internal Wall
Z1	7582	7582	Top support plate

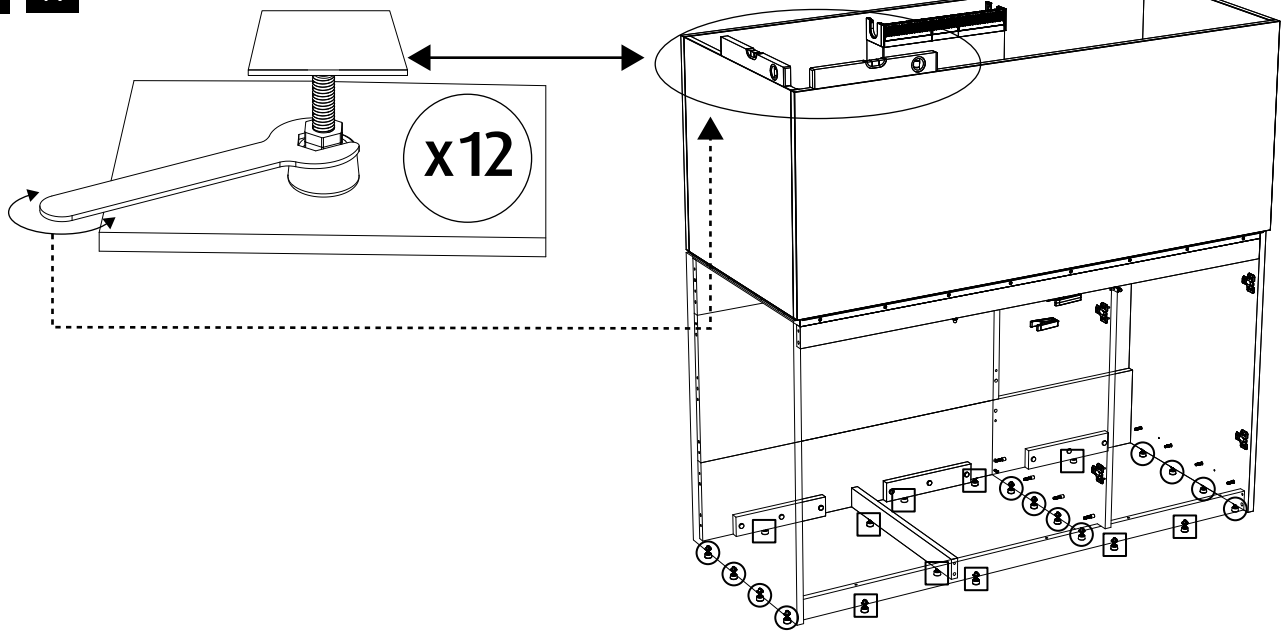






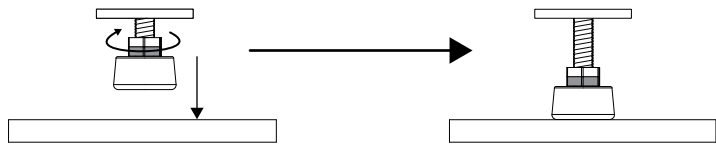


24 A



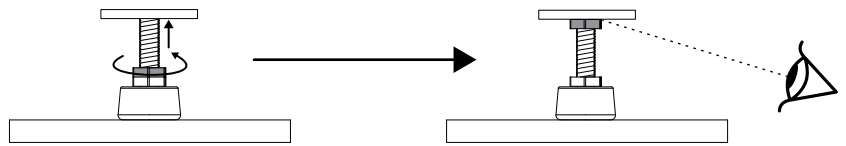
B

x10

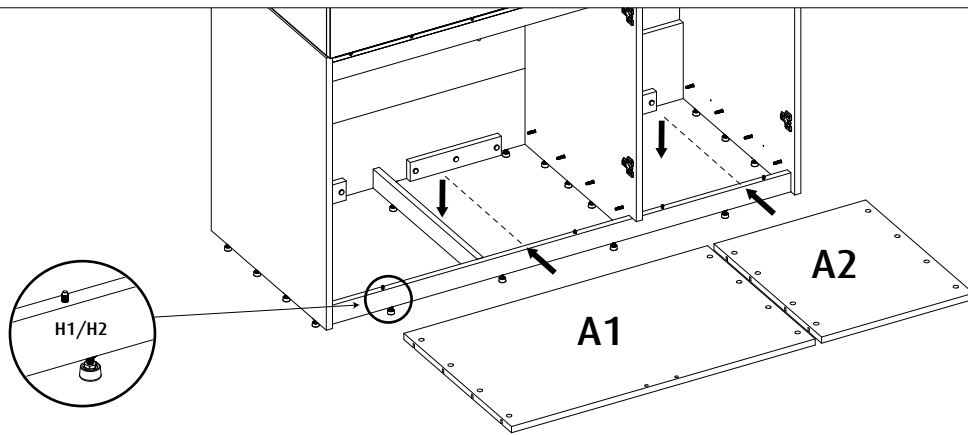


C

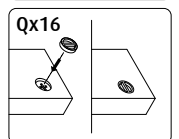
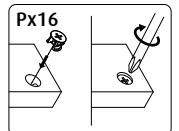
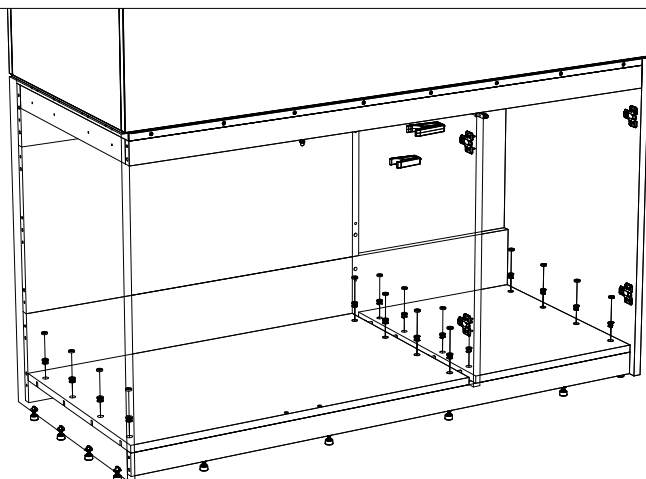
x22



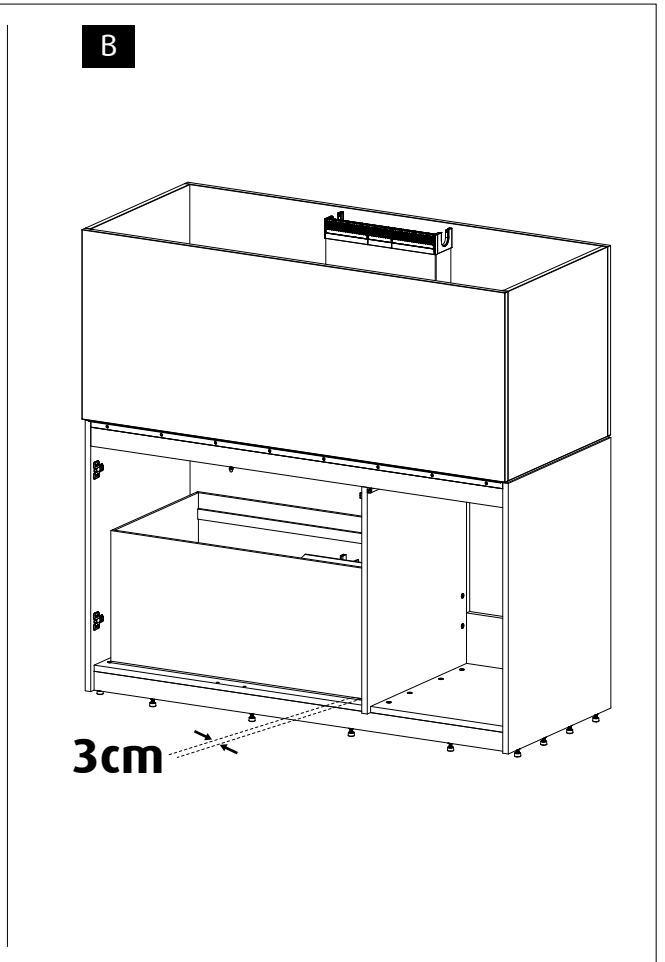
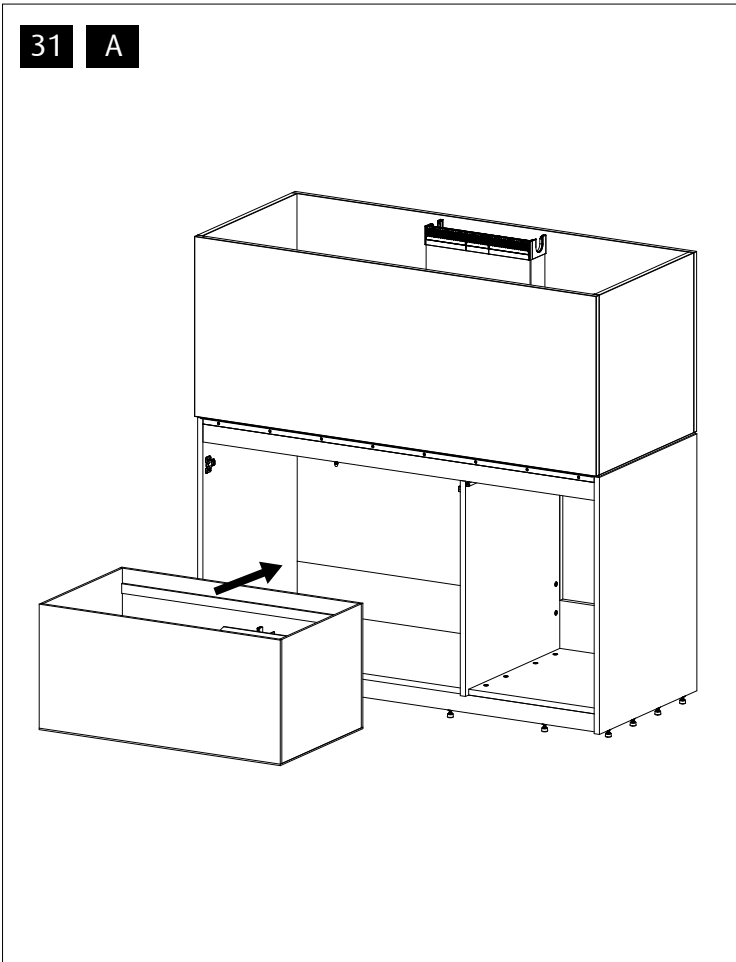
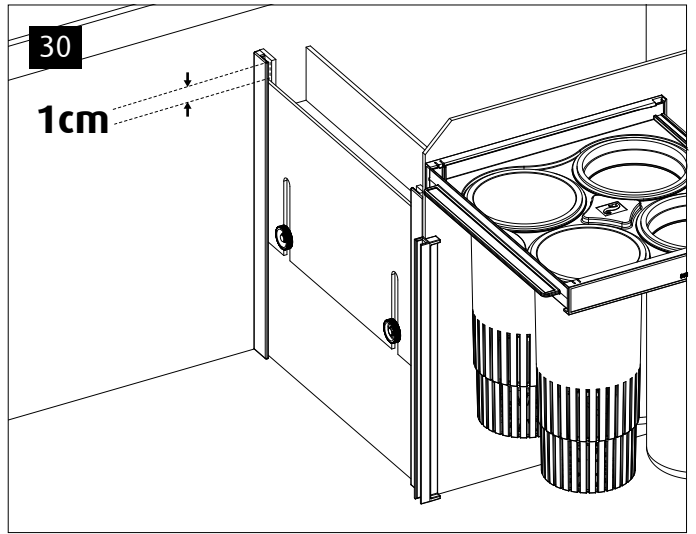
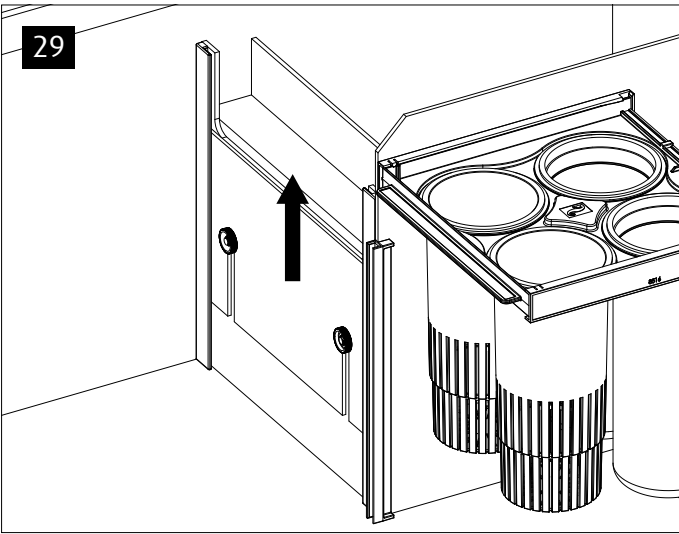
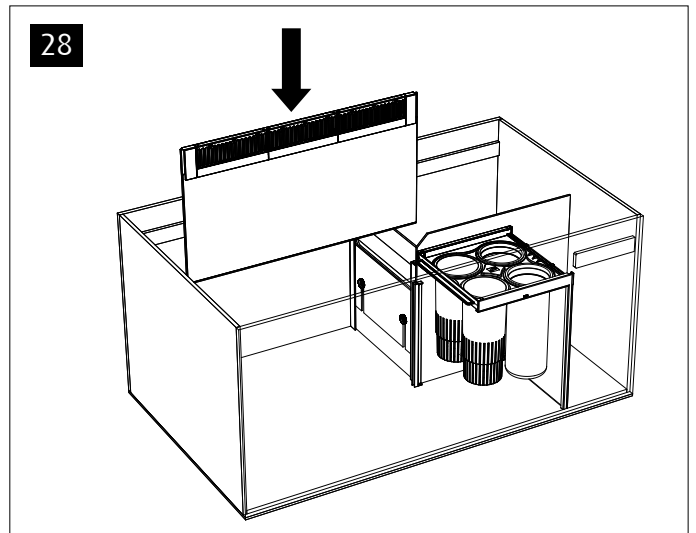
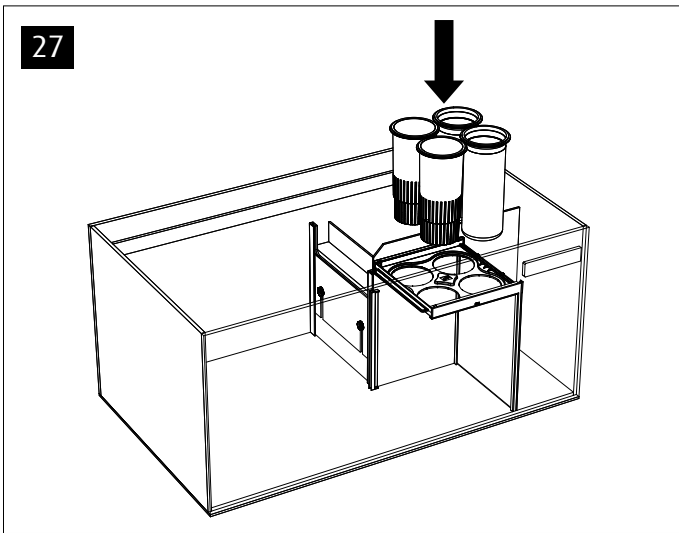
25



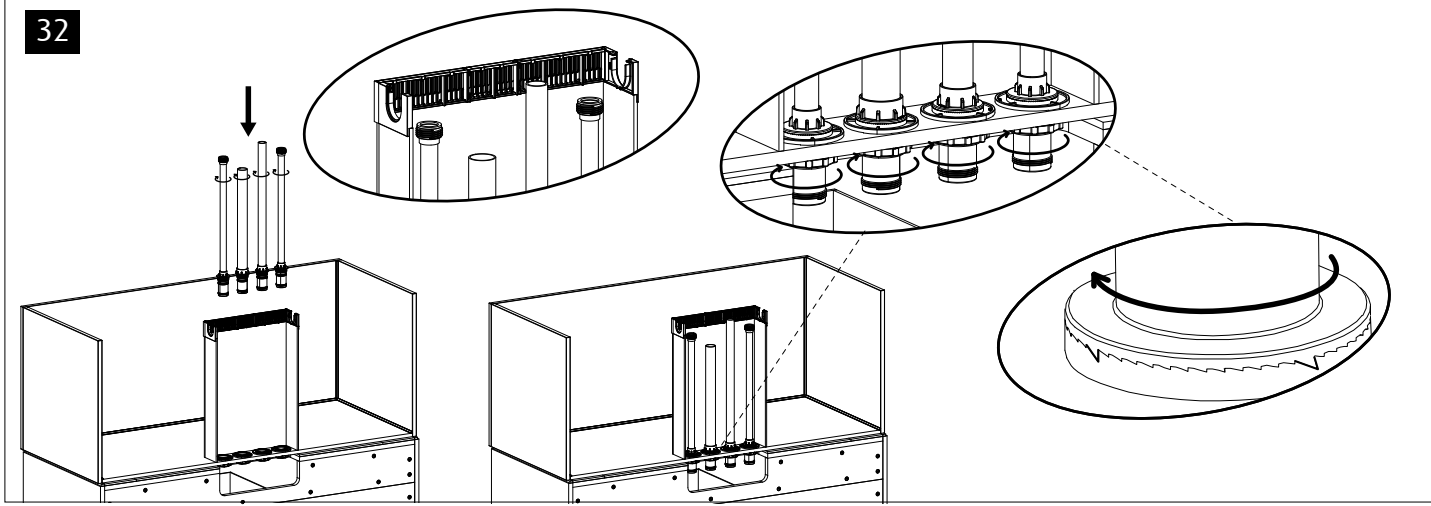
26



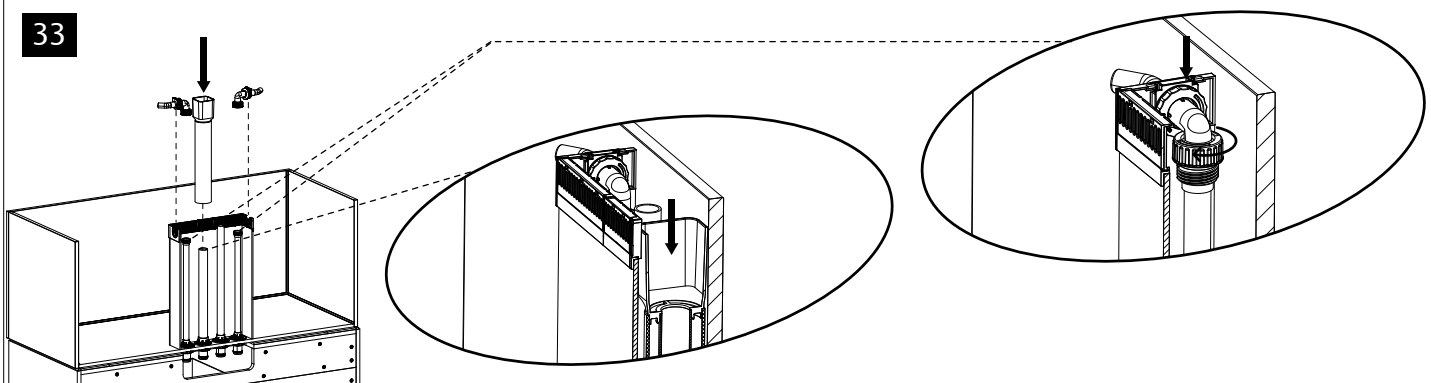




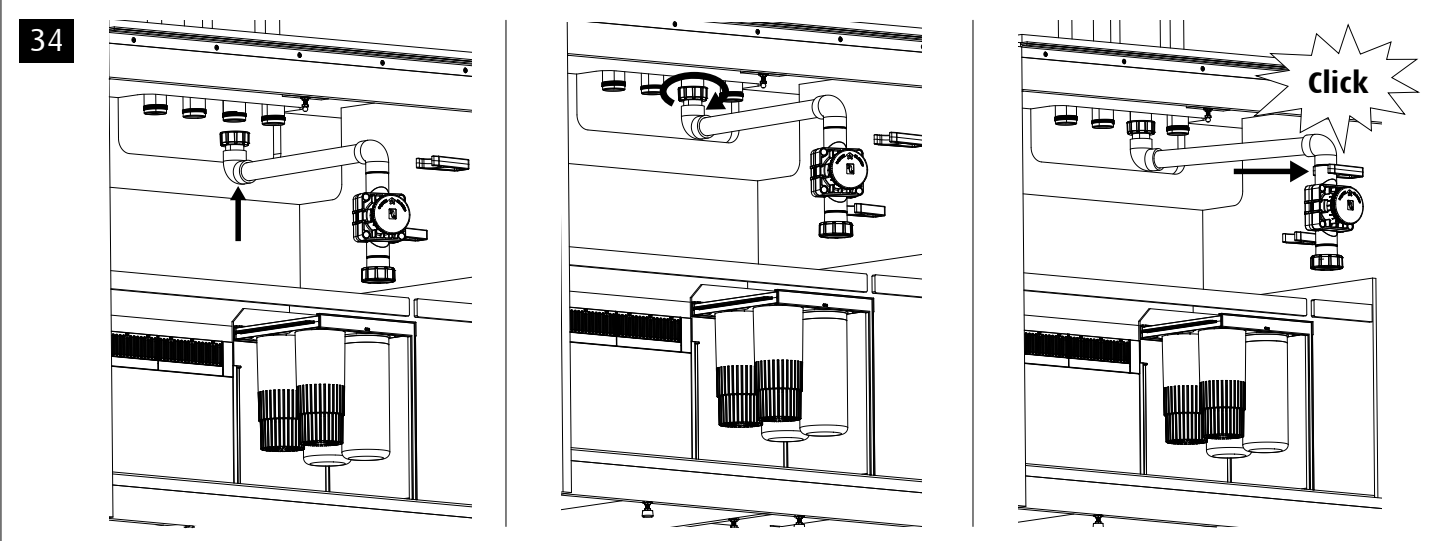
32



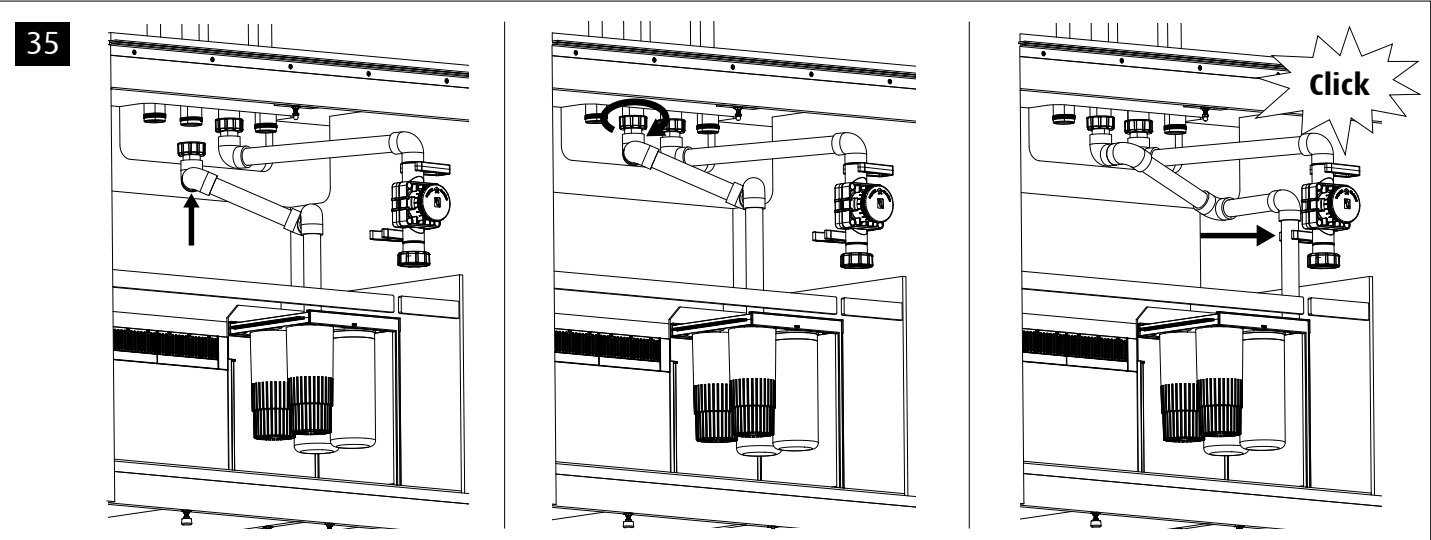
33



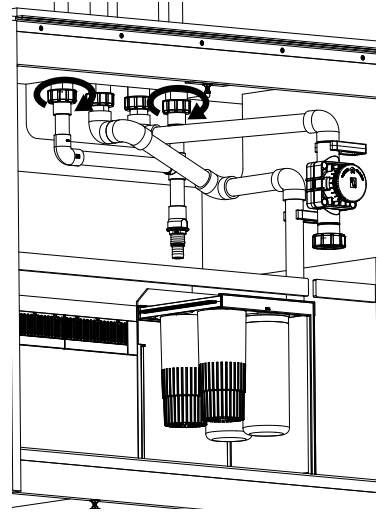
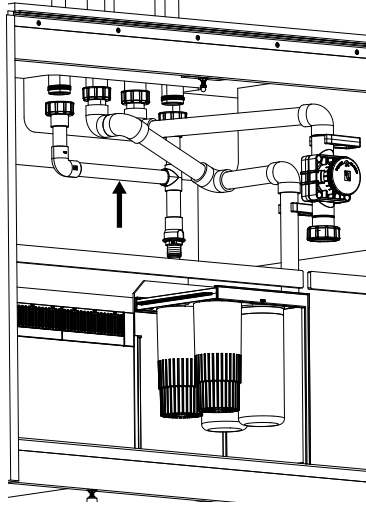
34



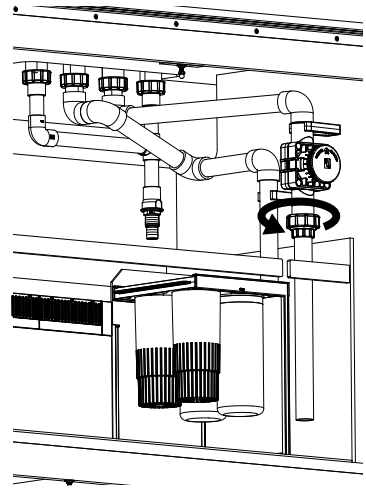
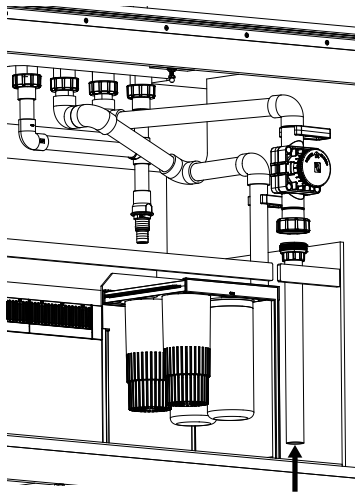
35



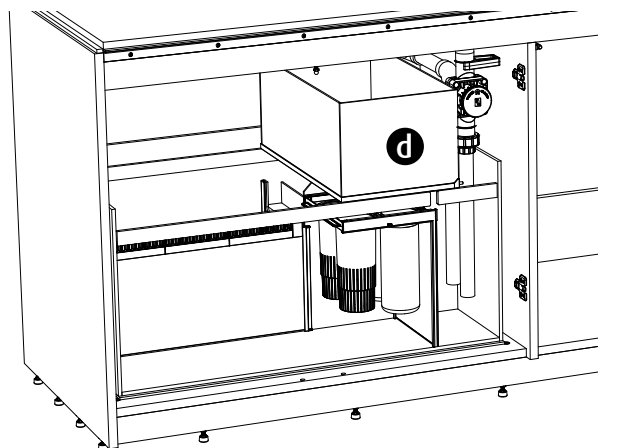
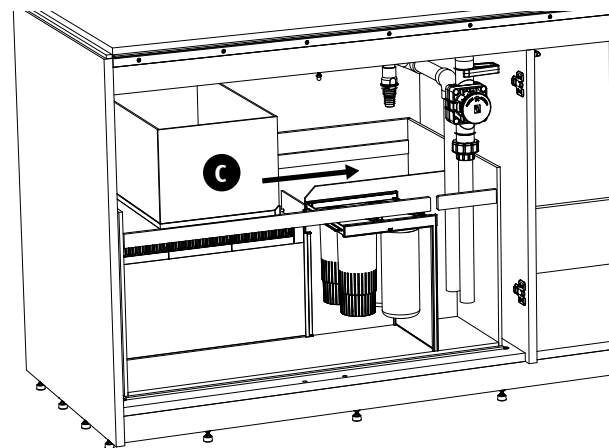
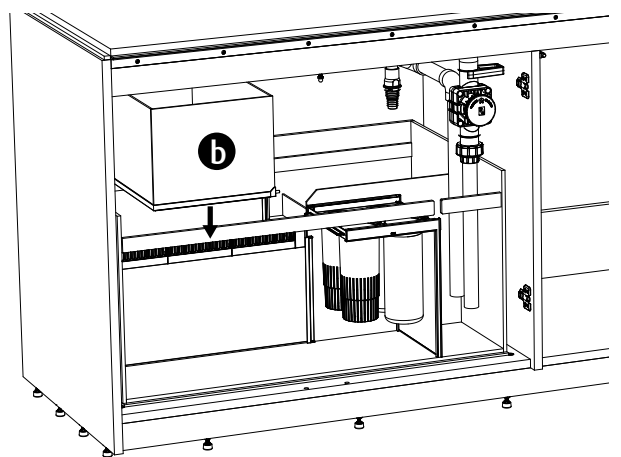
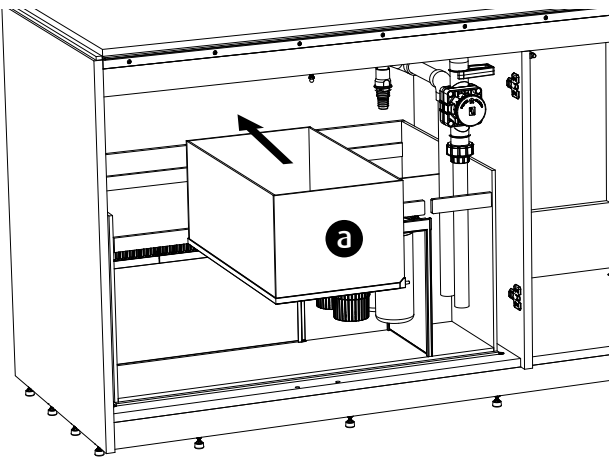
36



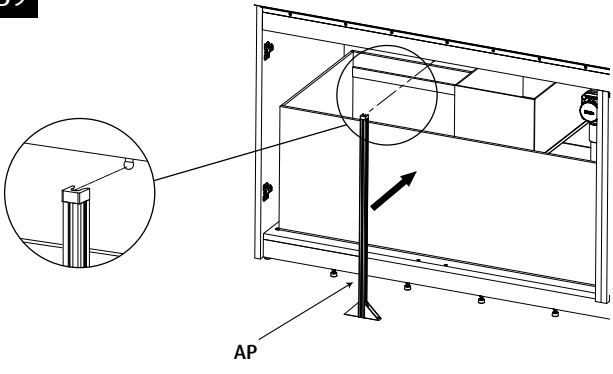
37



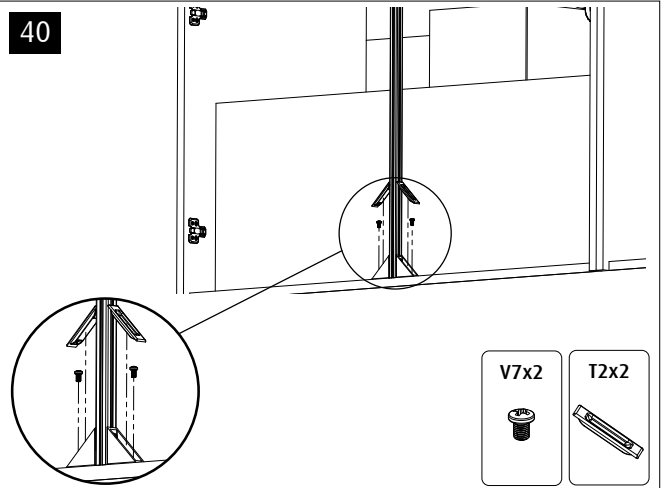
38



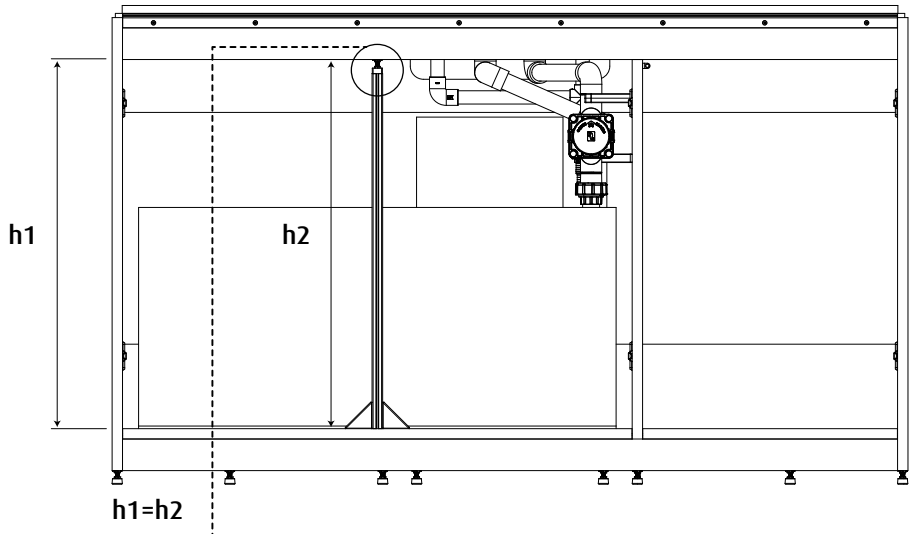
39



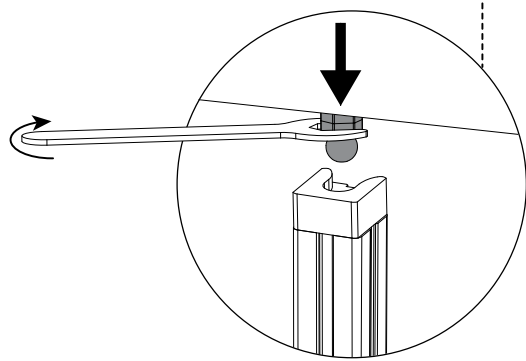
40



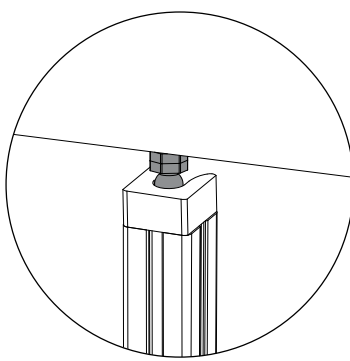
41



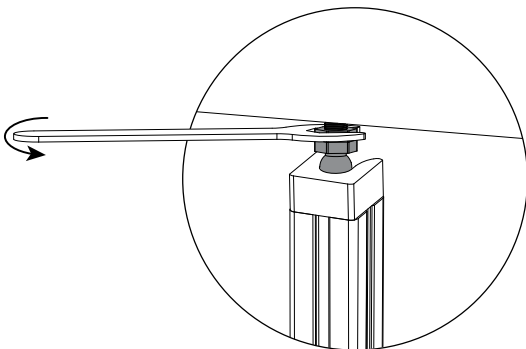
A



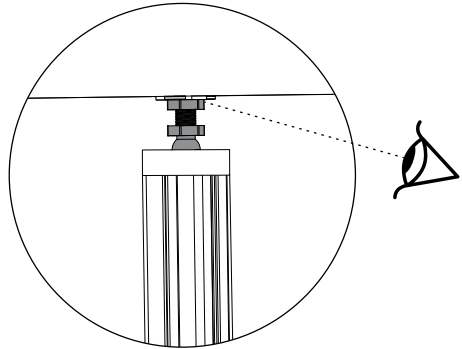
B



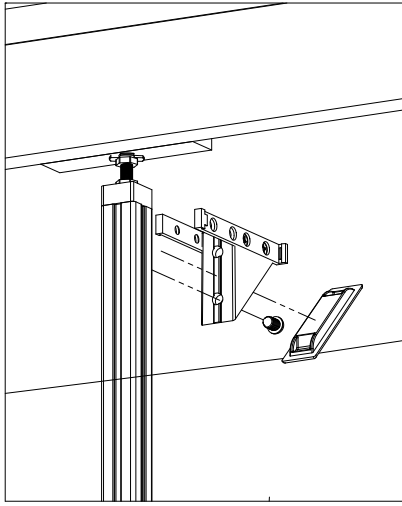
C



D



42



T1x1



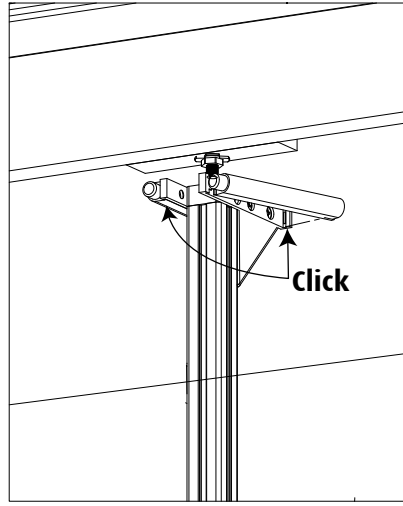
V6x1



T2x1



43

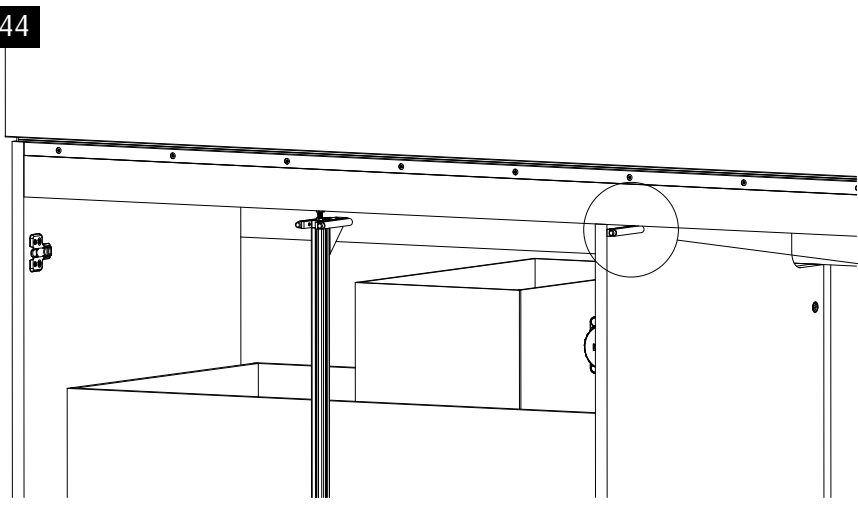


Sx2



Click

44

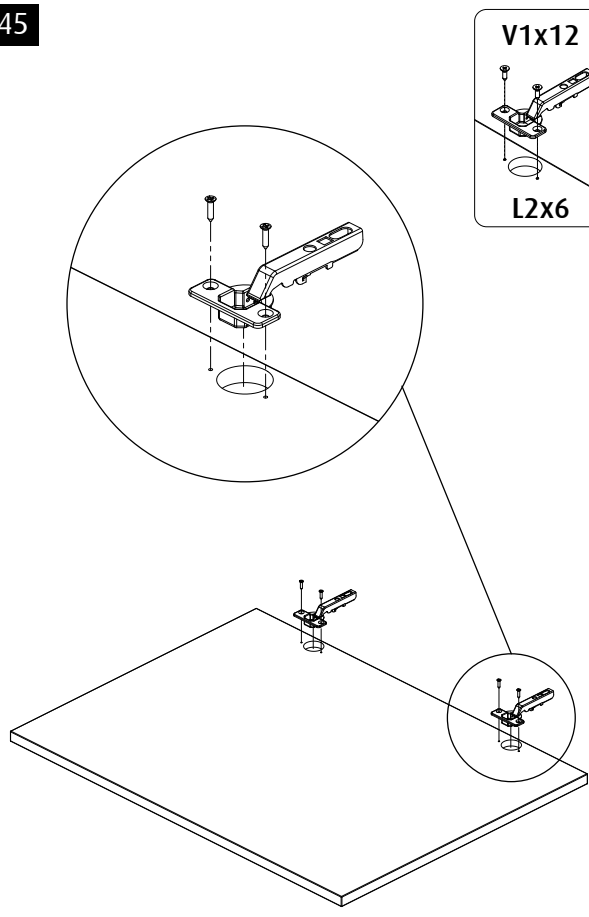


Sx1

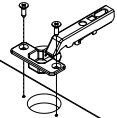


CLICK

45



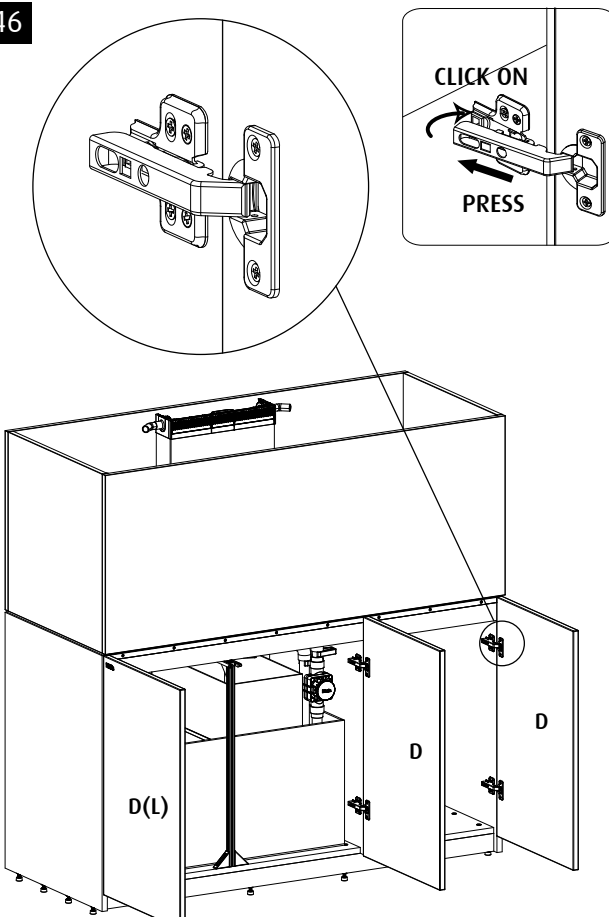
V1x12



L2x6



46



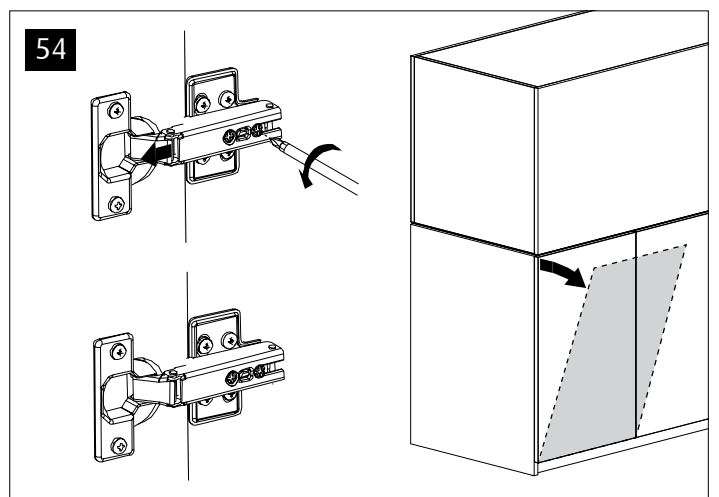
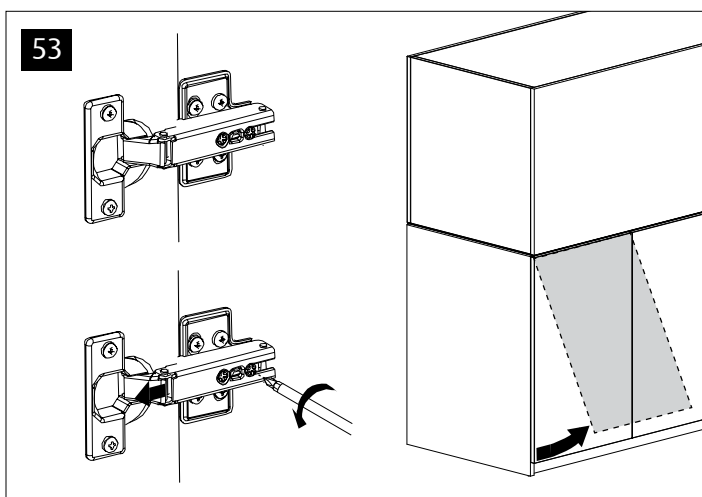
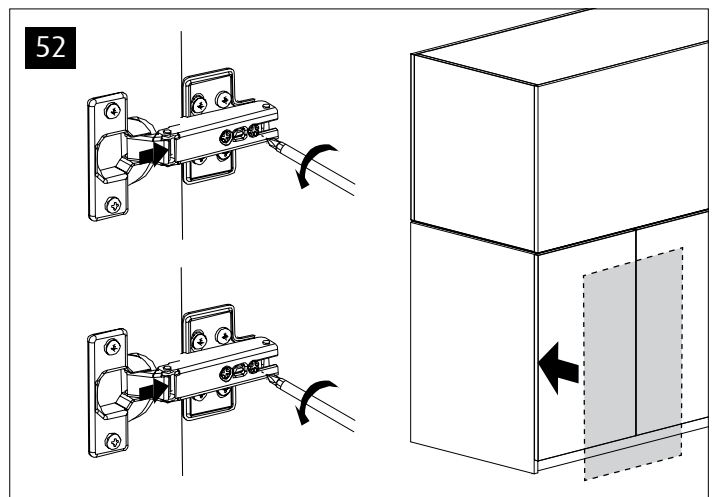
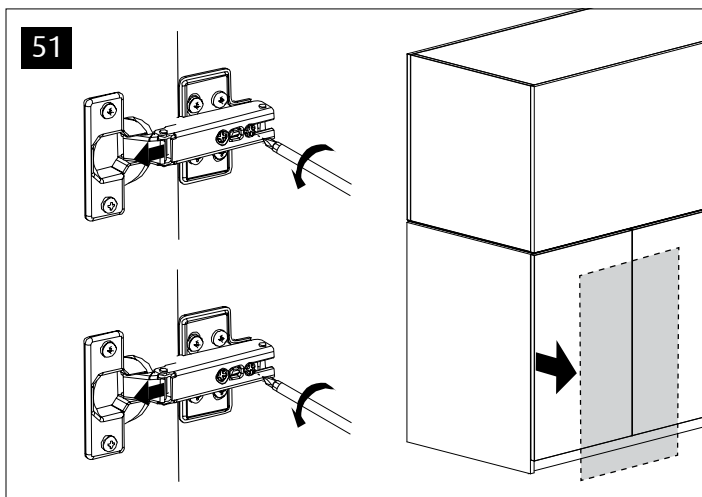
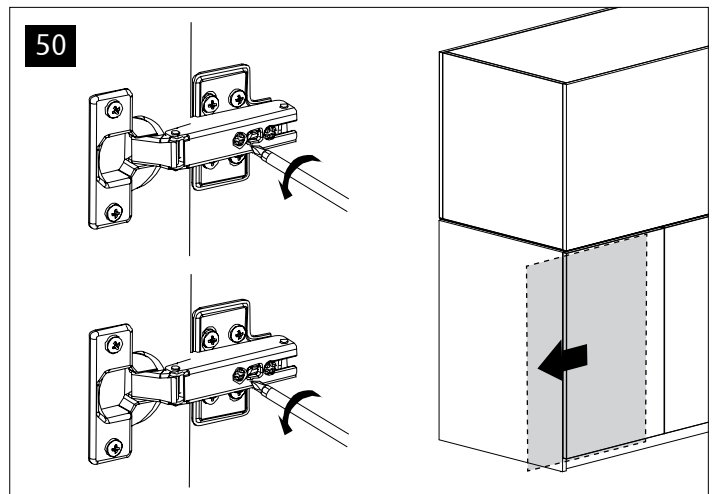
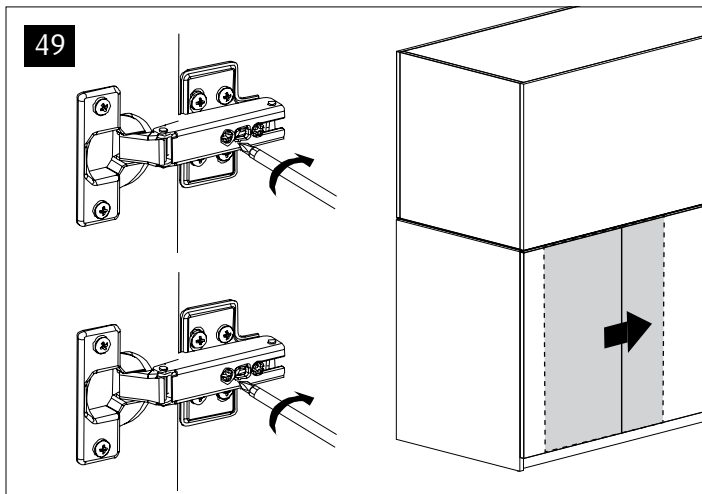
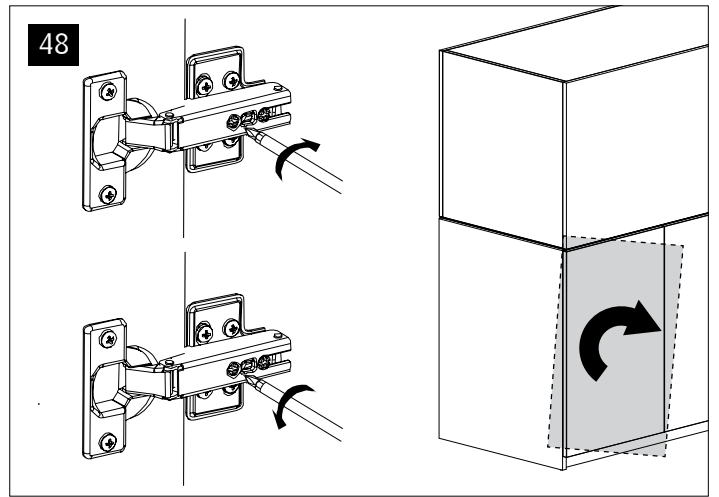
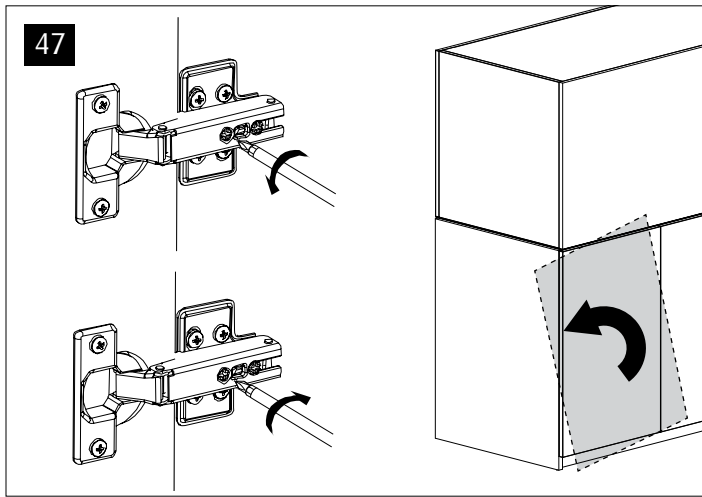
CLICK ON

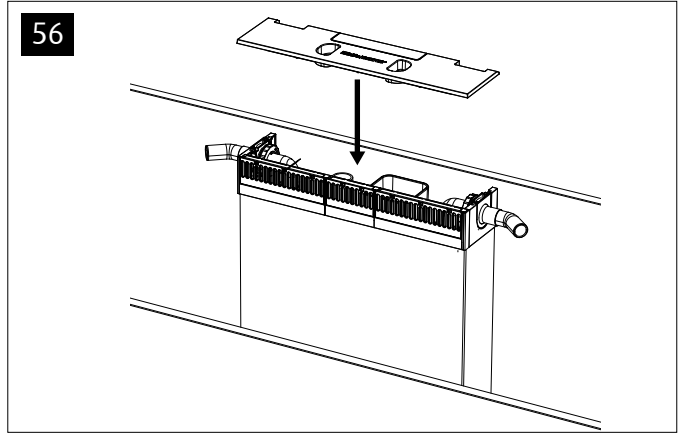
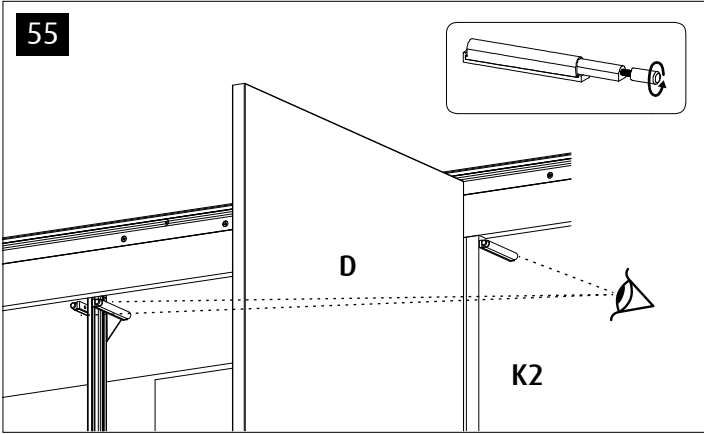
PRESS

D(L)

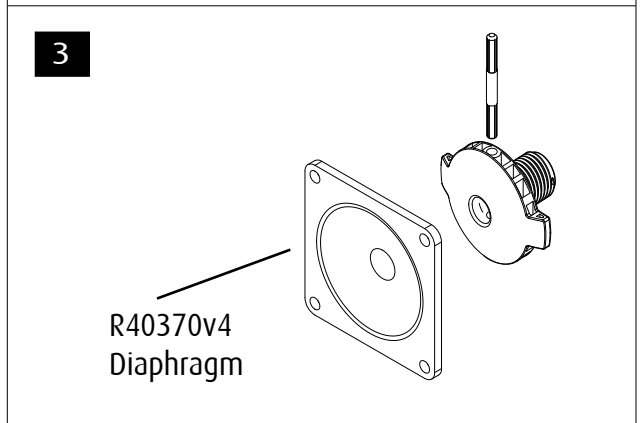
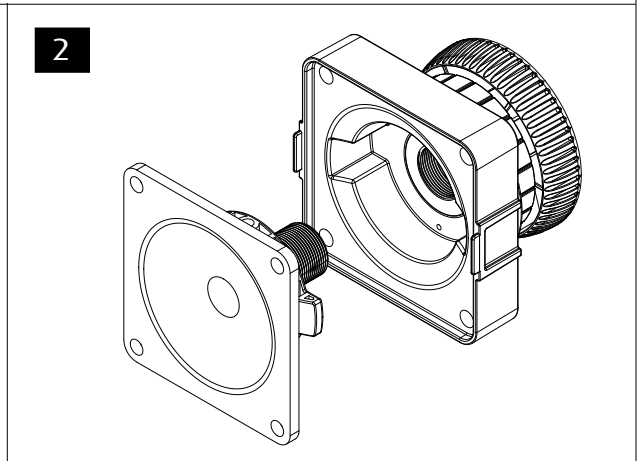
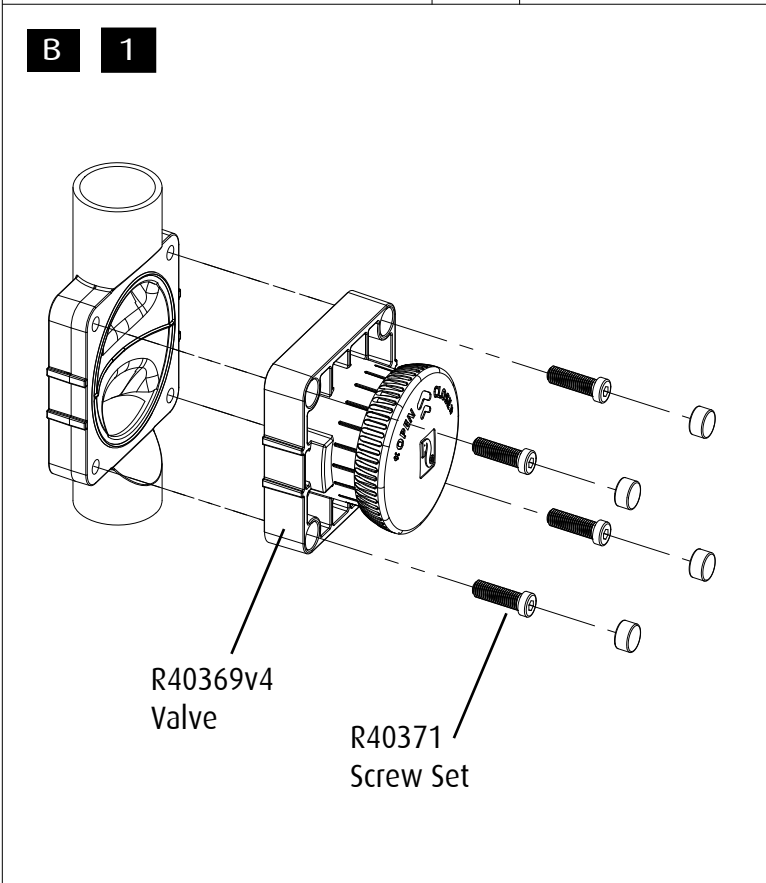
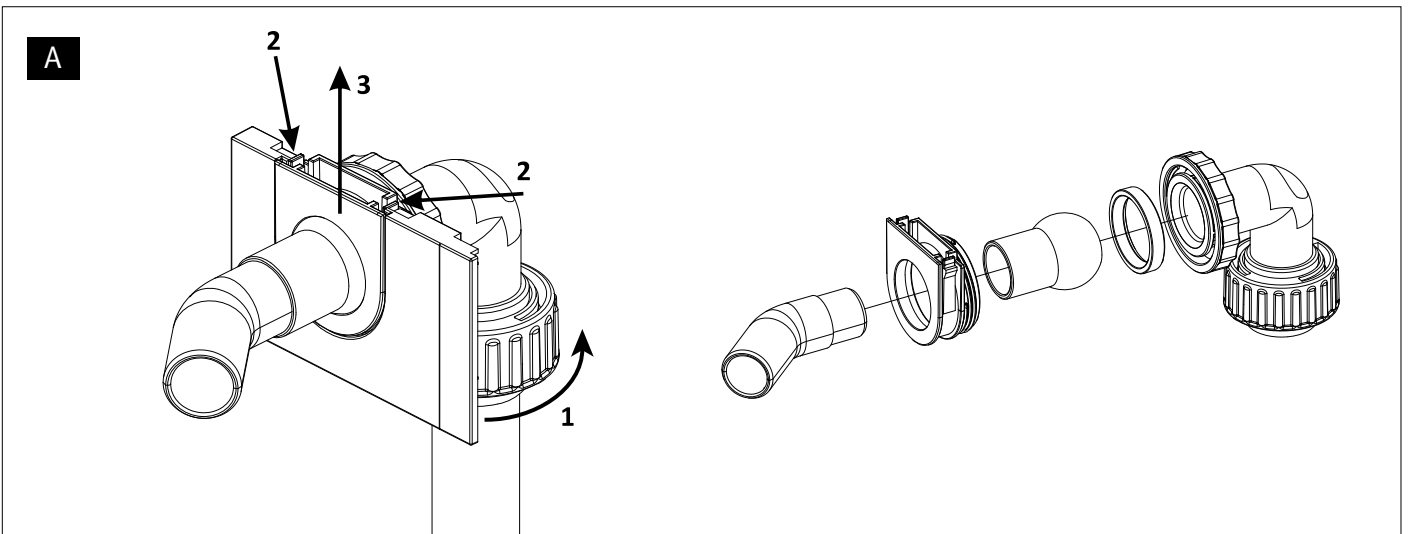
D

D





## MAINTENANCE



*Europe*

**Red Sea Europe**  
655 Rue des Frères Lumière  
27130 Verneuil d'Avre et d'Iton,  
France  
support.fr@redseafish.com

*UK & Ireland*

**Red Sea Aquatics (UK) Ltd**  
PO Box 1237  
Cheddar, BS279AG  
uk.info@redseafish.com

*North America*

**Red Sea U.S.A & Canada**  
4687 World Houston Parkway  
#200  
Houston, TX 77032, U.S.A  
support.usa@redseafish.com

*Germany & Austria*

**Red Sea Deutschland**  
Büro Deutschland  
Prinzenallee 7 (Prinzenpark)  
40549 Düsseldorf  
support.de@redseafish.com

*China*

**Red Sea Aquatics (GZ) Ltd.**  
Block A3, No.33 Hongmian Road,  
Xinhua Industrial Park,  
Huadu District, Guangzhou City,  
China, Postal code 510800.  
Tel: +86-020-6625 3828  
info.china@redseafish.com

  
www.redseafish.com