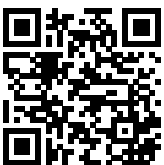


# **Red Sea REEFER™**

525 G2

---

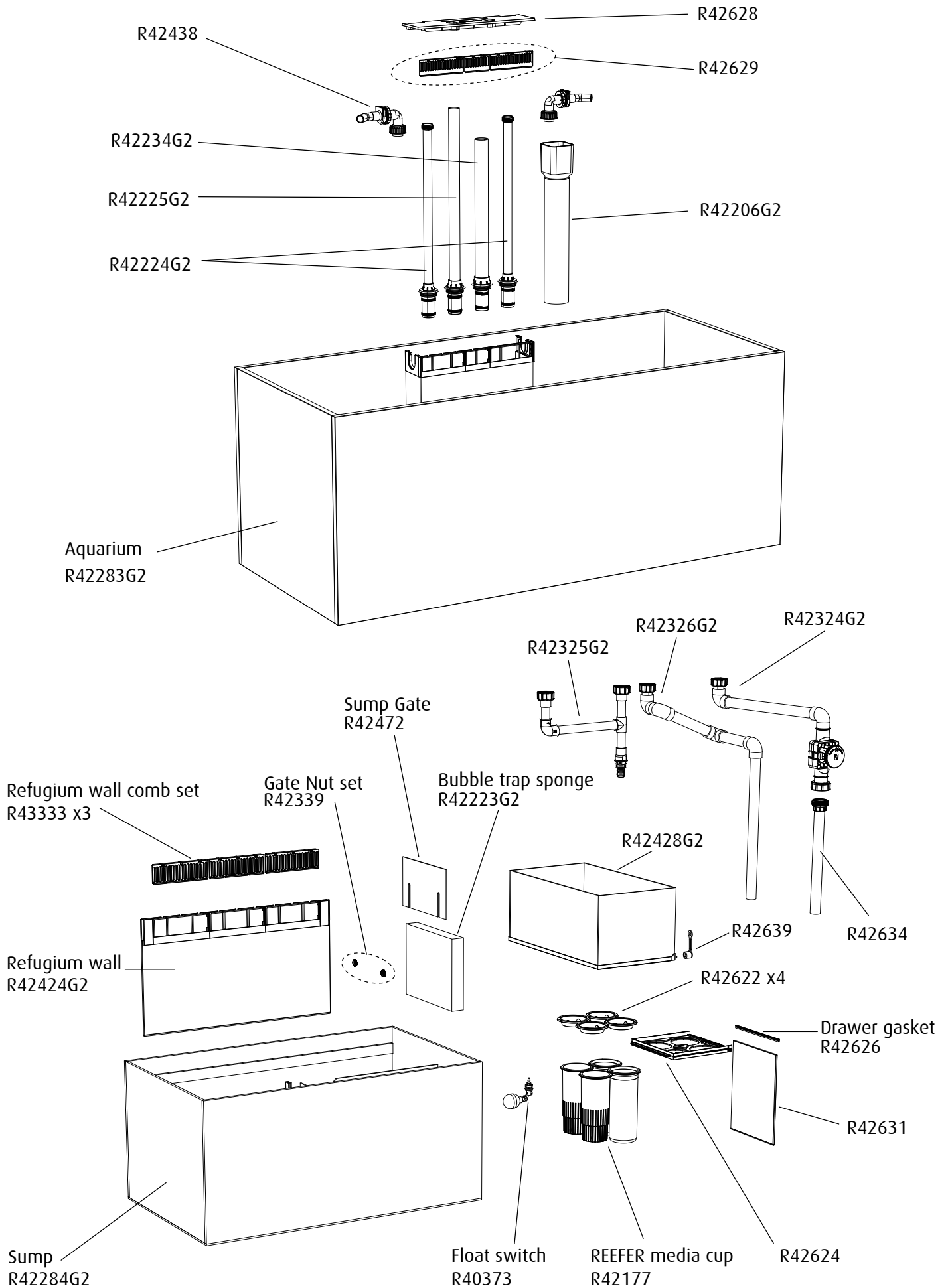
Aquarium & Cabinet Assembly Manual



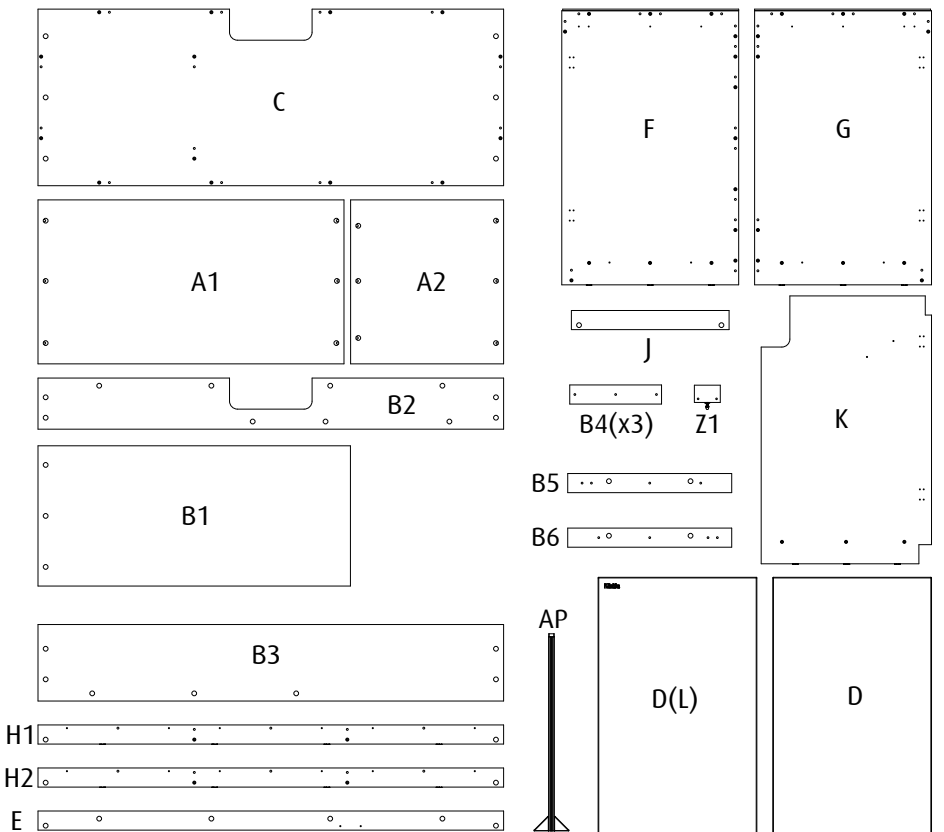
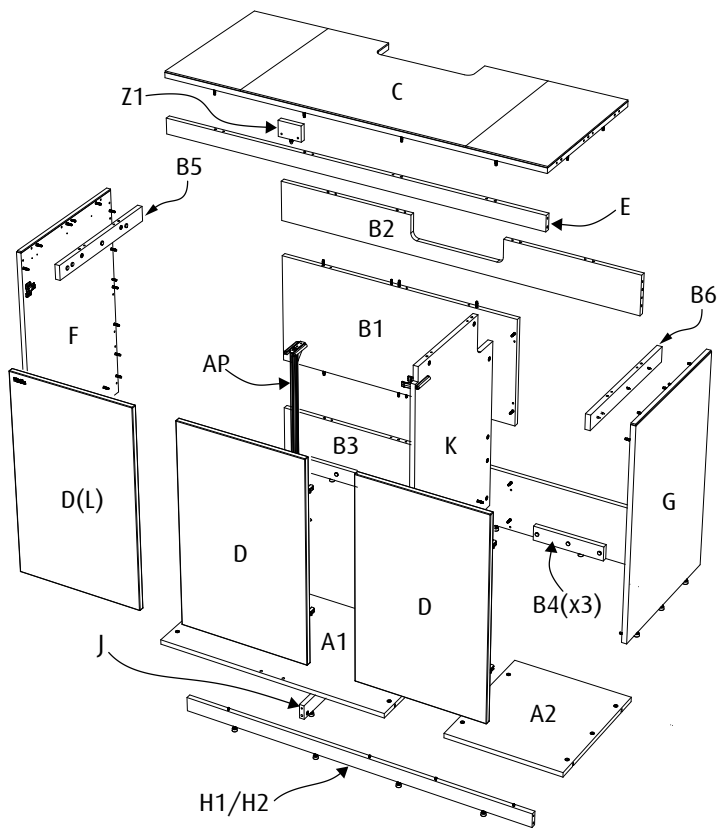
Resource & Support Center:  
[www.redseafish.com/support/](http://www.redseafish.com/support/)



# Aquarium Water Management System



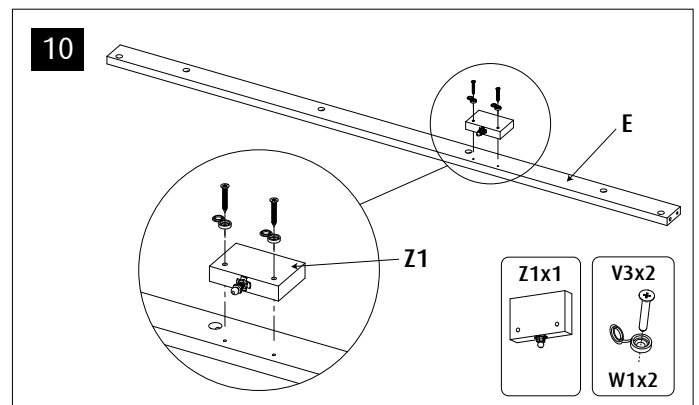
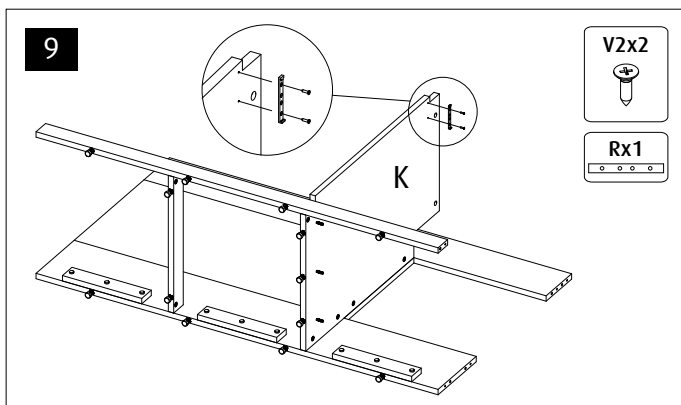
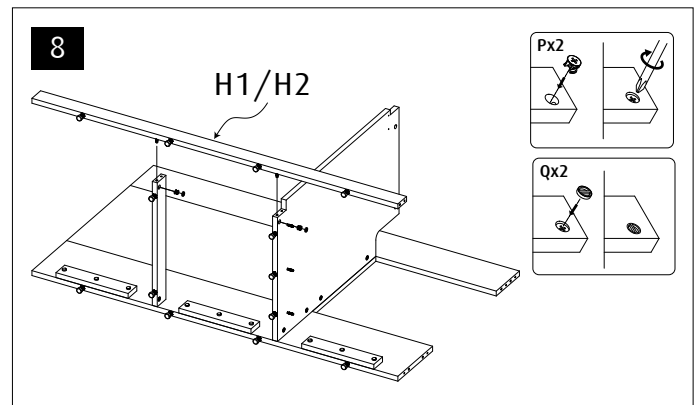
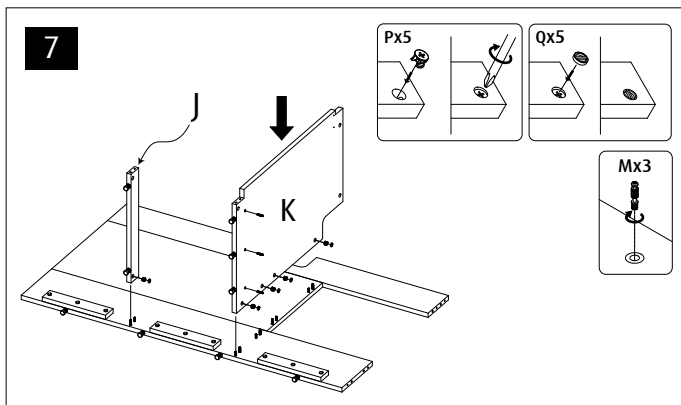
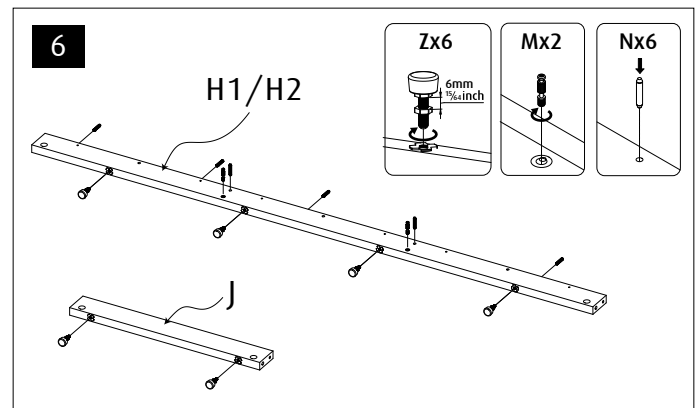
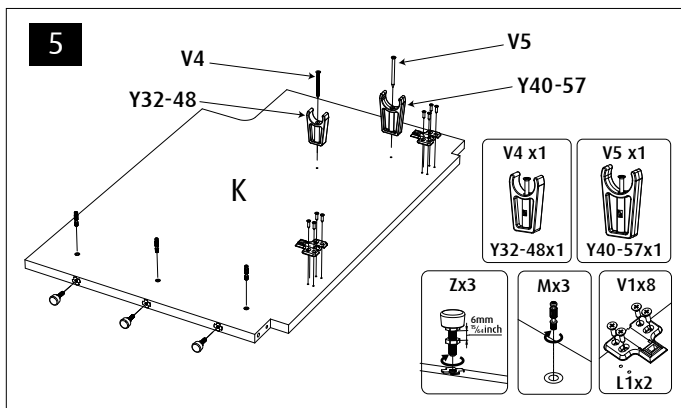
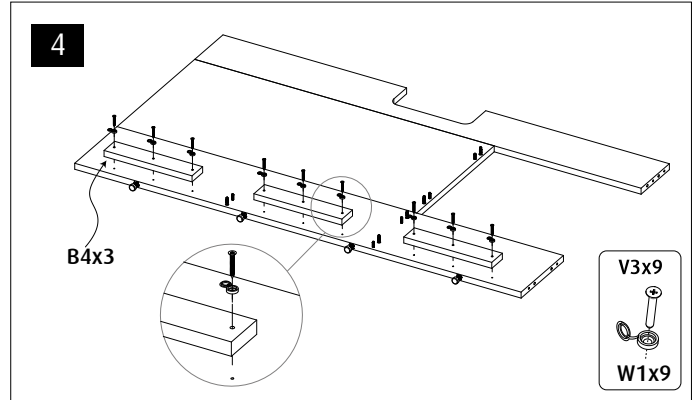
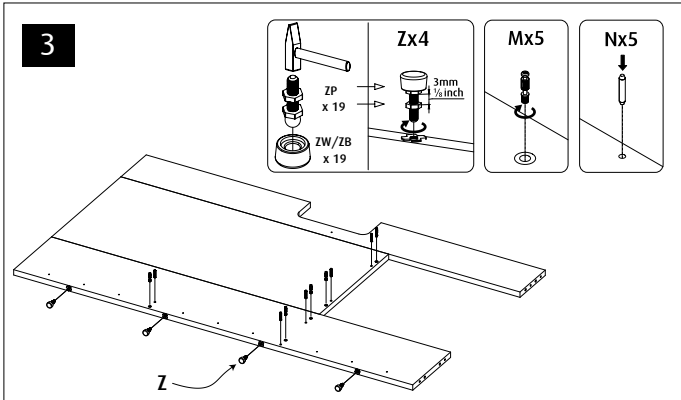
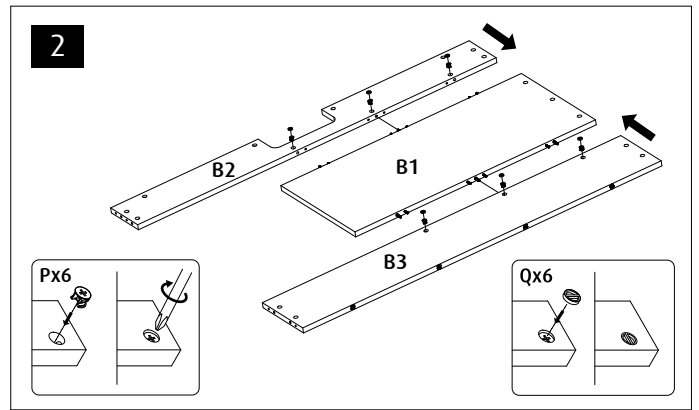
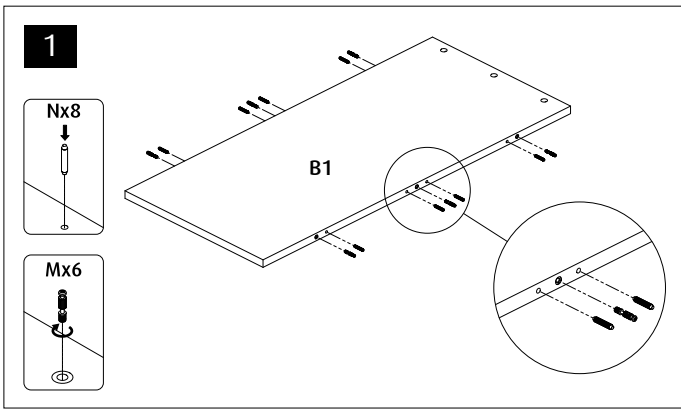
# Cabinet



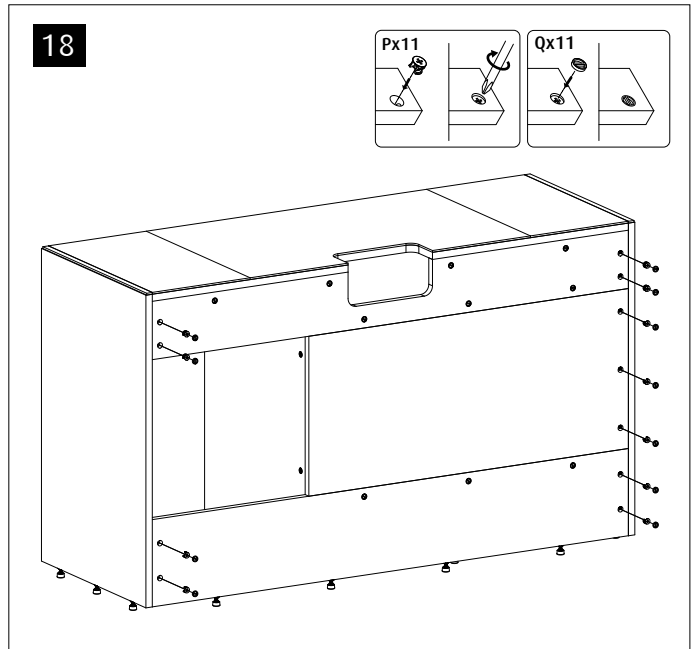
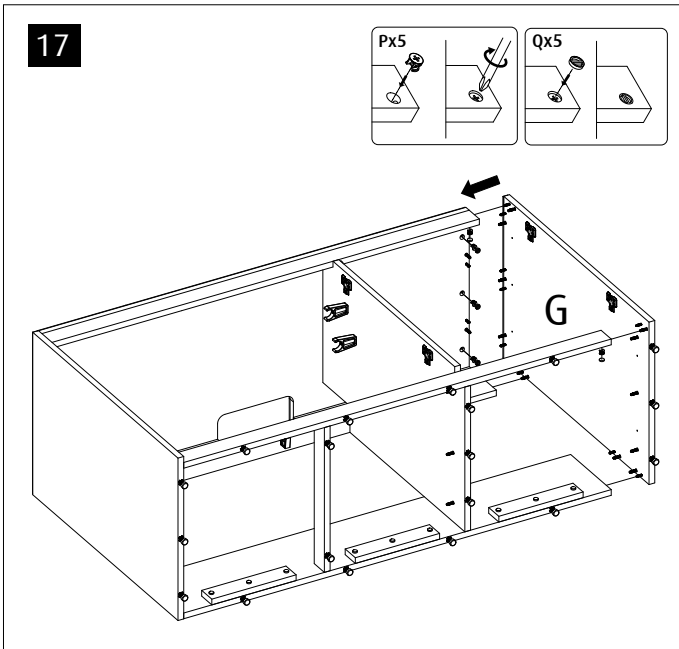
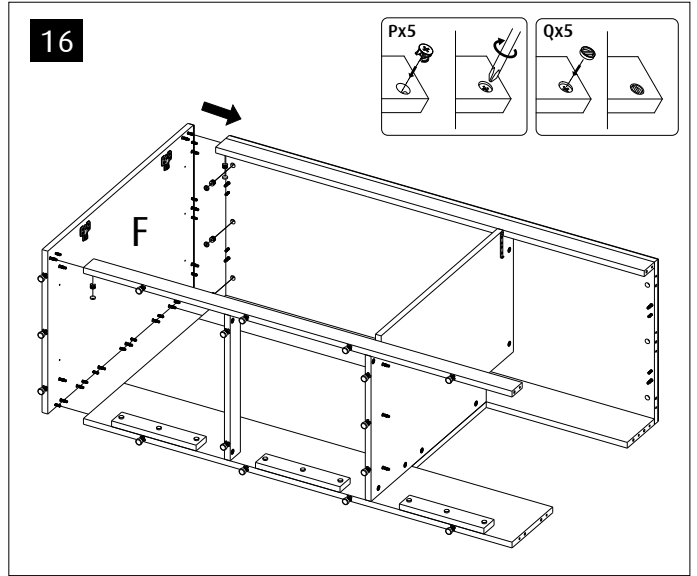
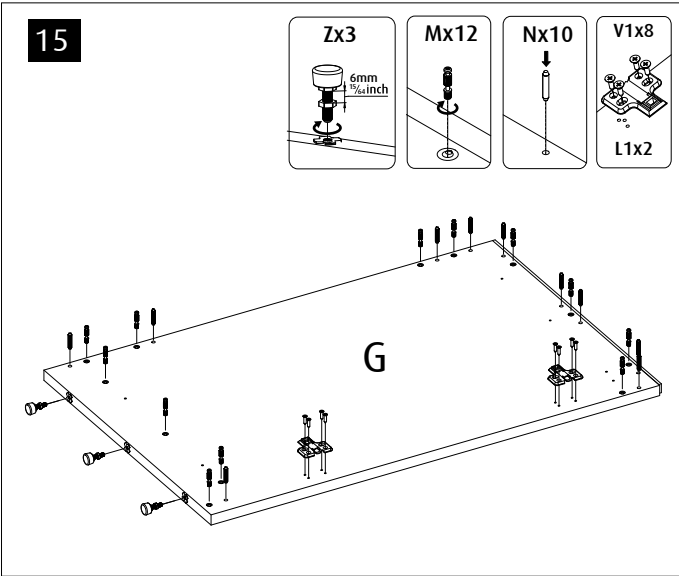
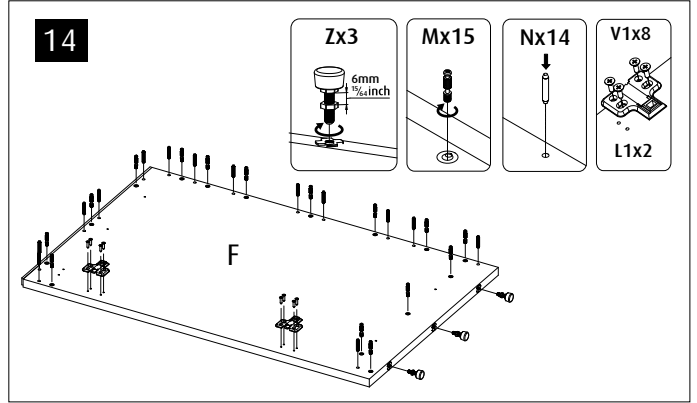
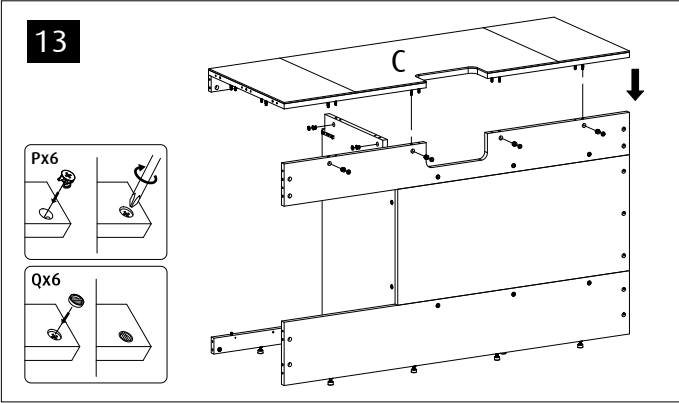
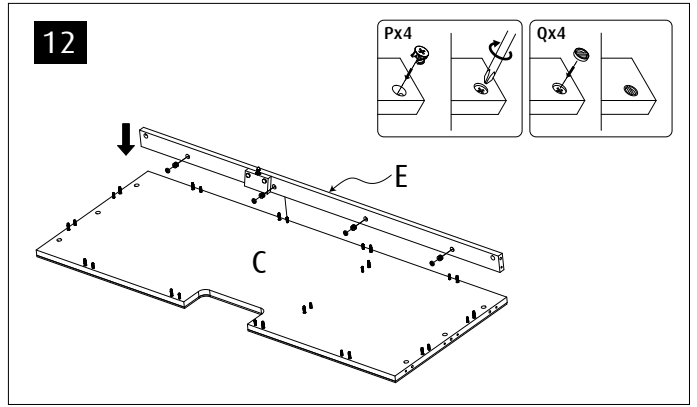
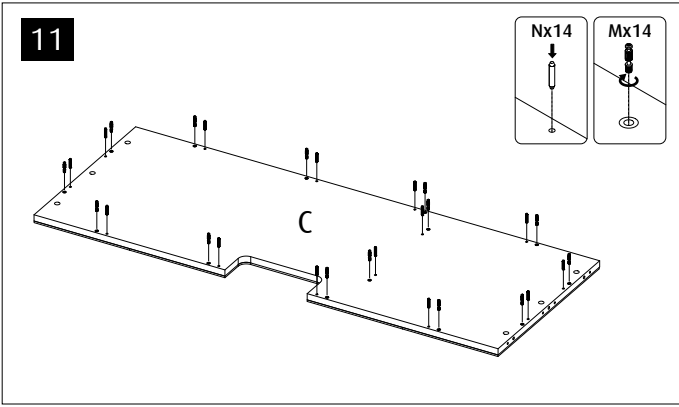
		525 G2
L1		6
L2		6
N		57
M		60
P		60
Q		60
S		3
T1		1
T2		3
V1	ST4x16	36
V2	ST3.5x14	2
V3	ST5x35	19
V4	ST5x60	1
V5	ST5x70	1
V6	M5X10	1
V7	M6X10	2
W1		19
Y40-57		1
Y32-48		1
Z1		1
R		1
ZP		19
ZW		
ZB		

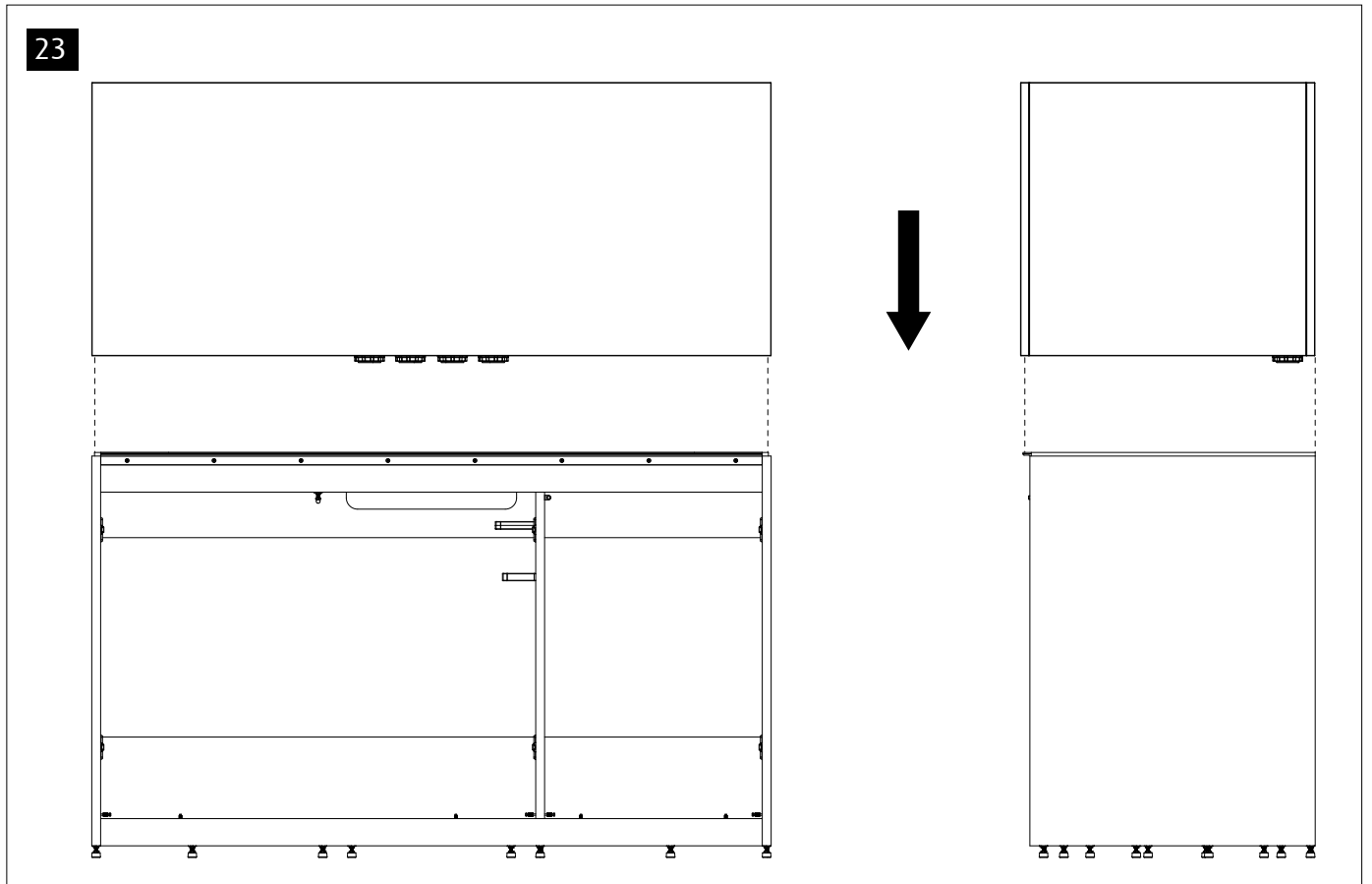
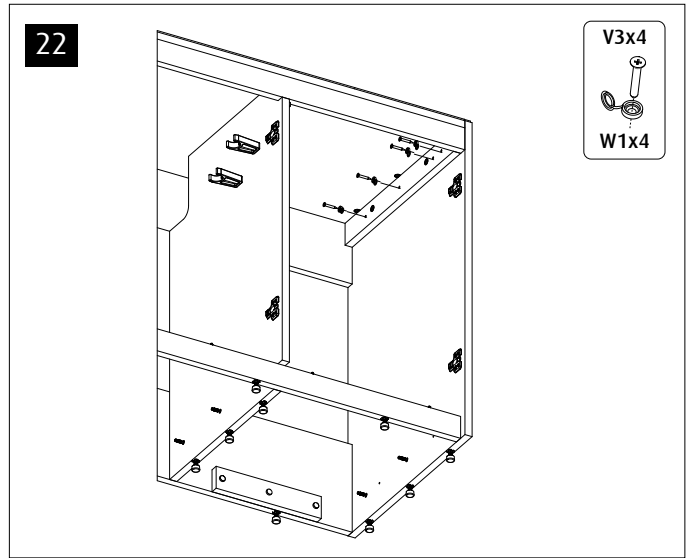
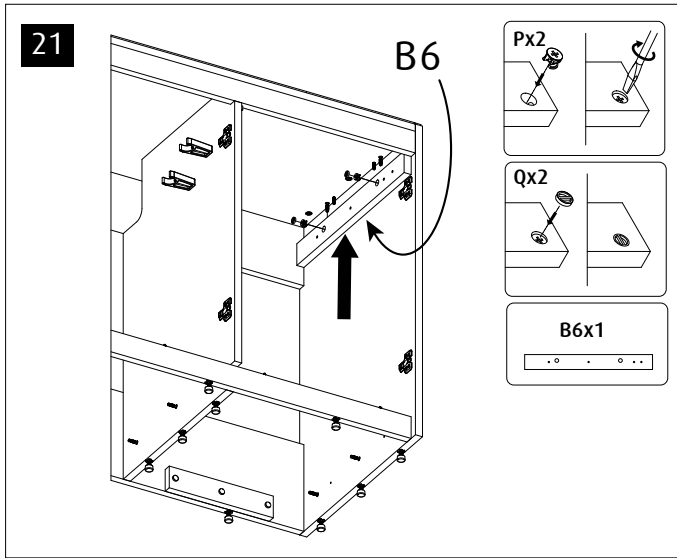
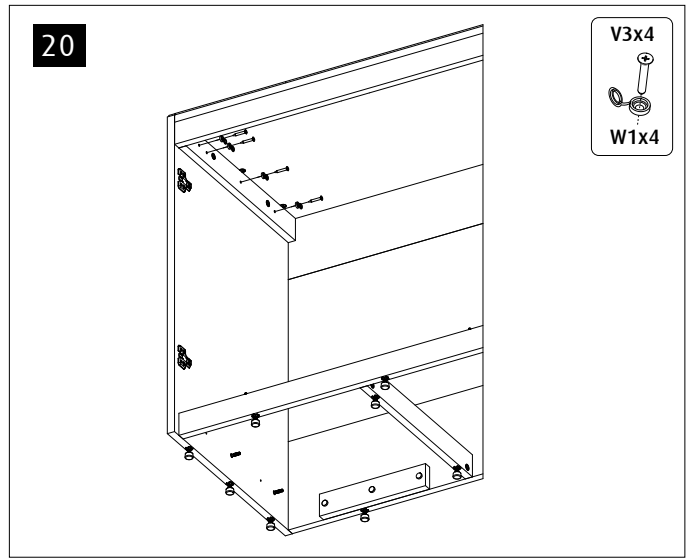
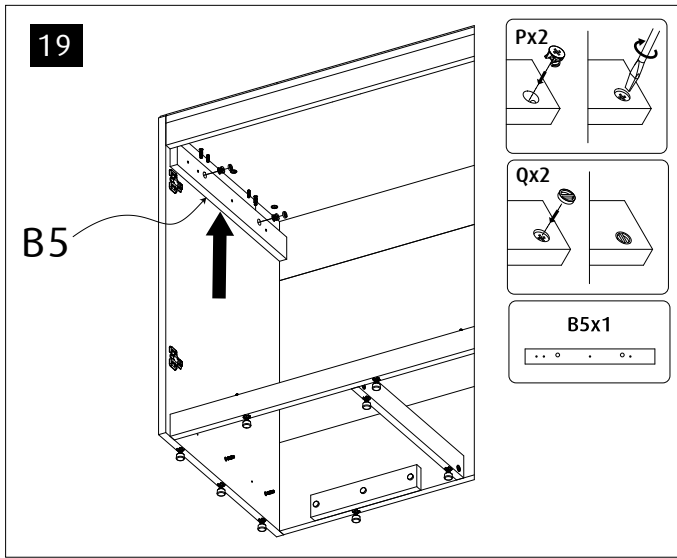
525 G2	Black	White	Part Description
A1	6621G2	6621G2	Cabinet Bottom sump
A2	6622G2	6622G2	Cabinet Bottom Chiller
B1	5304A-B	5304A-B	Cabinet Rear Middle
B2	5305G2	5305G2	Cabinet Rear Top
B3	5306A-B	5306A-B	Cabinet Rear Bottom
B4	6132B	6132B	Cabinet Rear Base support x3
B5	6615G2-L	6615G2-L	Cabinet Side Top support - Left
B6	6615G2-R	6615G2-R	Cabinet Side Top support - Right
C	5775G2	5775G2	Cabinet Top
D	5307B	5307W	Cabinet Door x3 (Come in color pack)

525 G2	Black	White	Part Description
E	5309G2	5309G2	Cabinet Front Upper
F	6624G2-B	6624G2-WB	Cabinet Side Left (Packed with Doors)
G	6625G2-B	6625G2-WB	Cabinet Side Right (Packed with Doors)
H1	5303A-B	5303A-B	Cabinet Sockel Blk
H2	5303A-WB	5303A-WB	Cabinet Sockel Wht
J	6626G2	6626G2	XL Cabinet Base Mid Support
K	5777G2	5777G2	Cabinet Internal Wall
AP	R42495	R42495	REEFER Cabinet front support
Z1	7582	7582	Top support plate

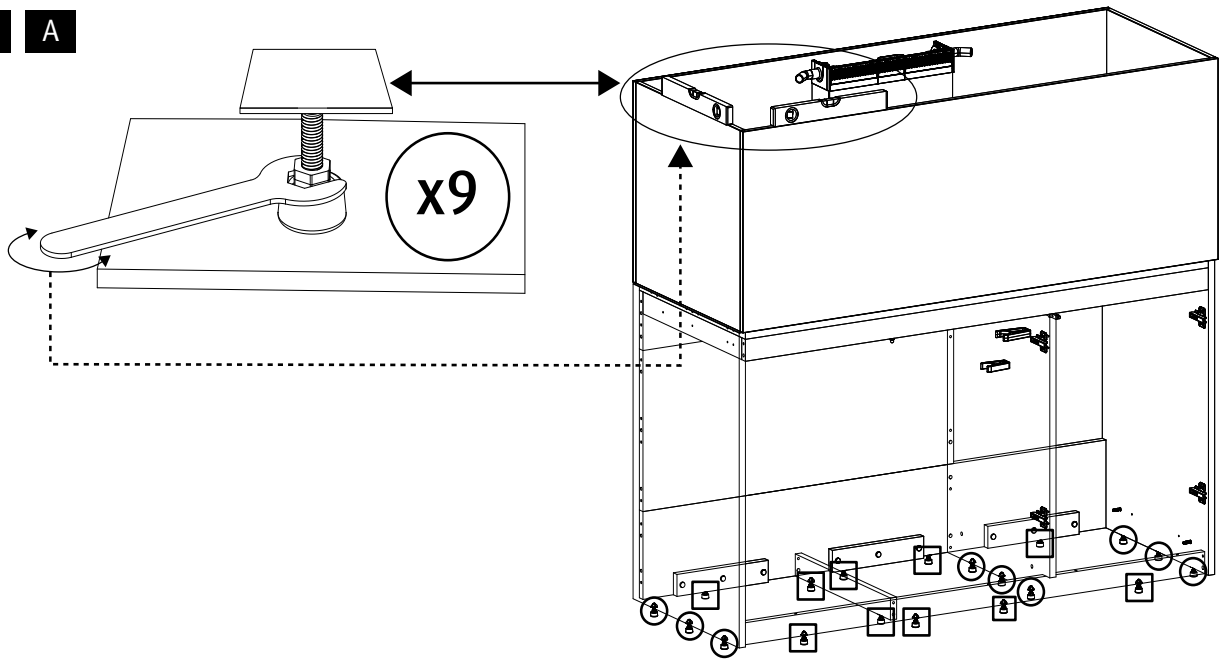






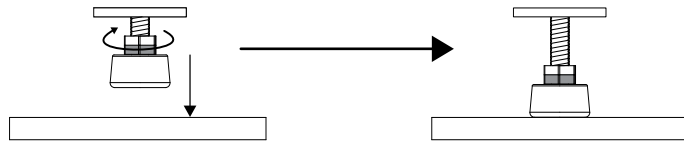


24 A



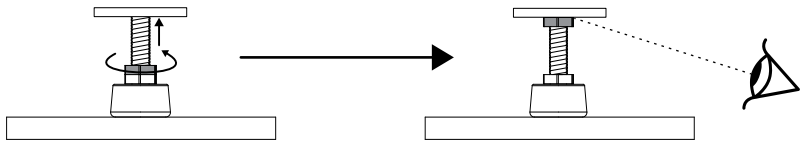
B

x10

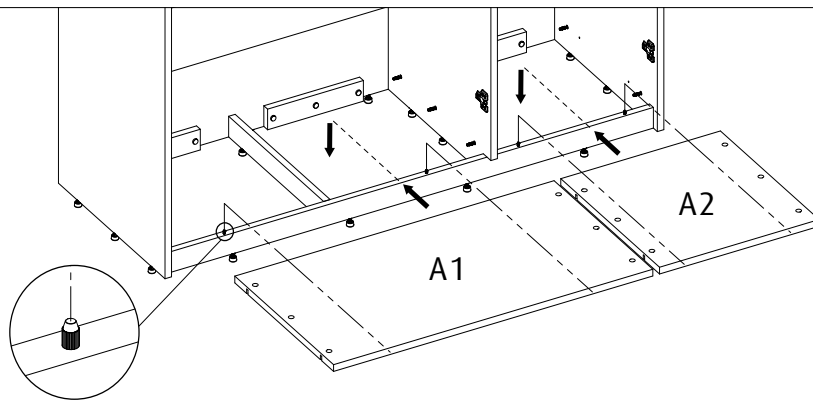


C

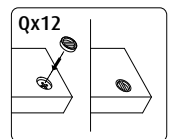
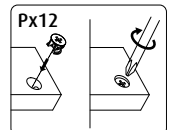
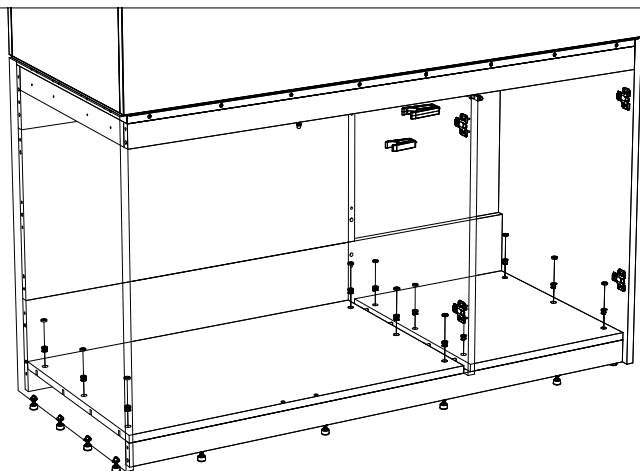
x16

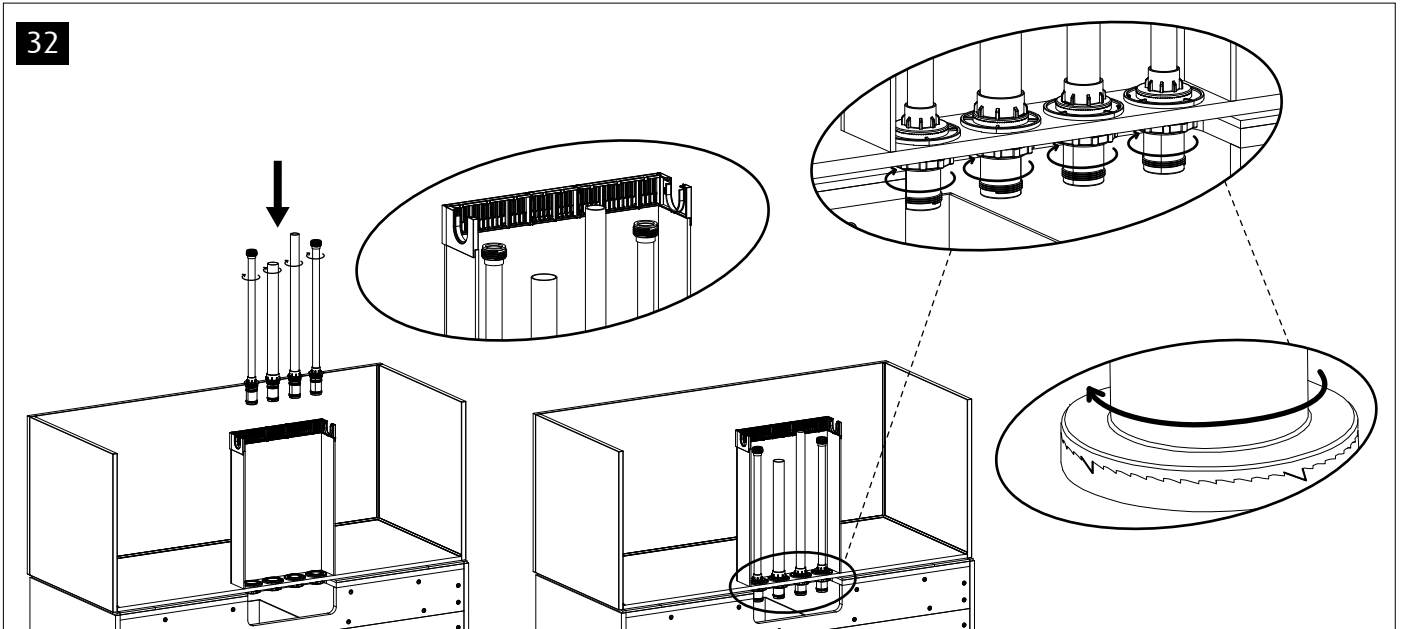
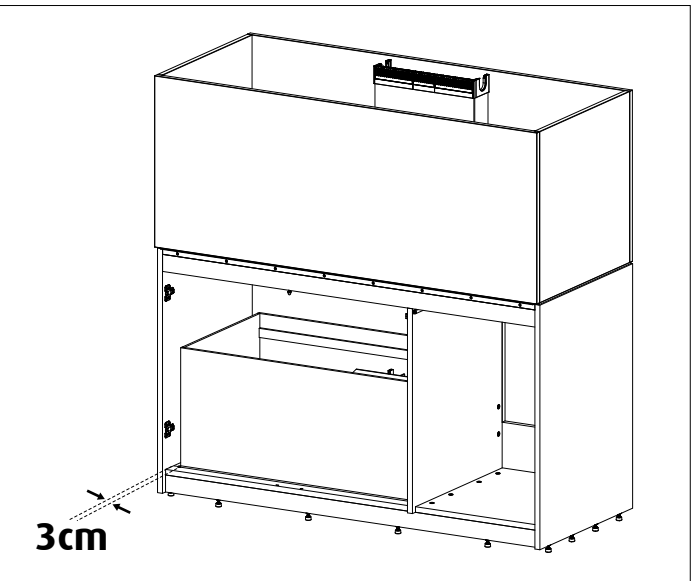
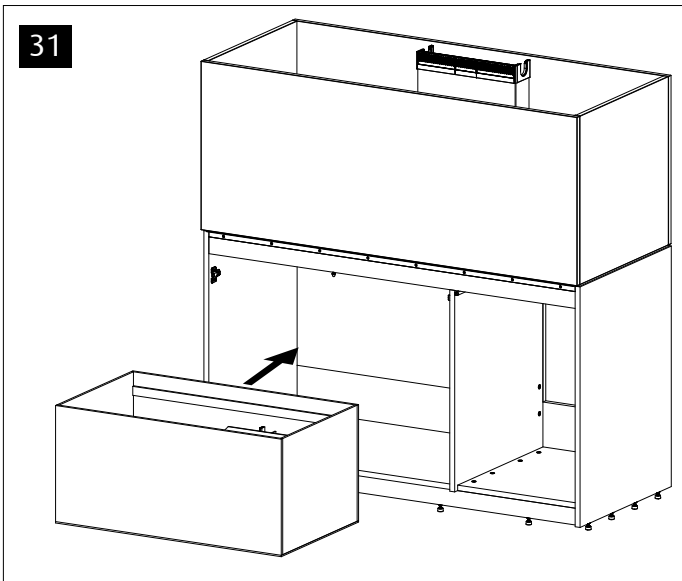
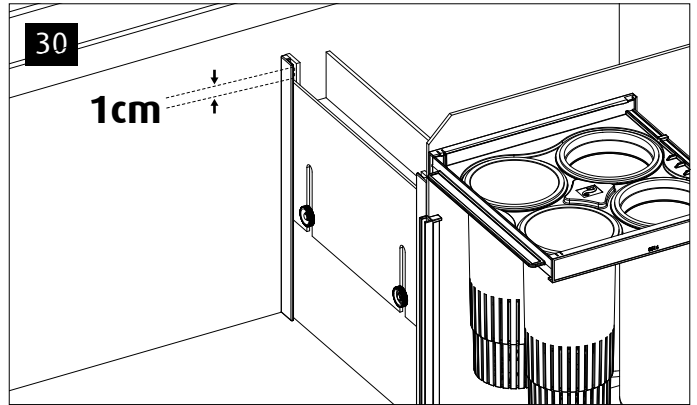
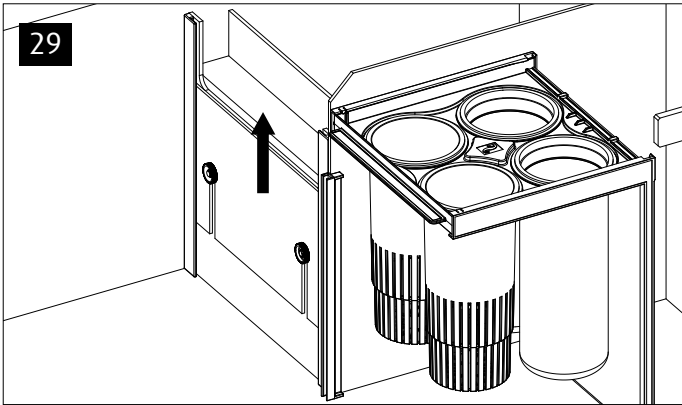
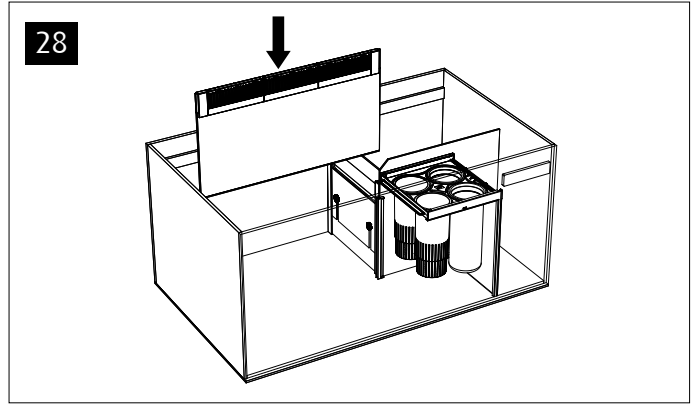
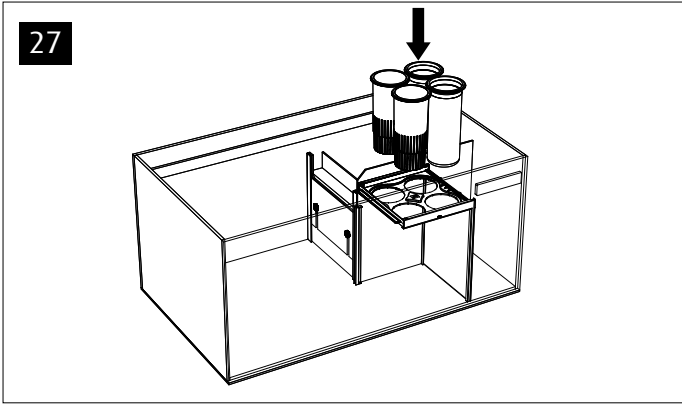


25

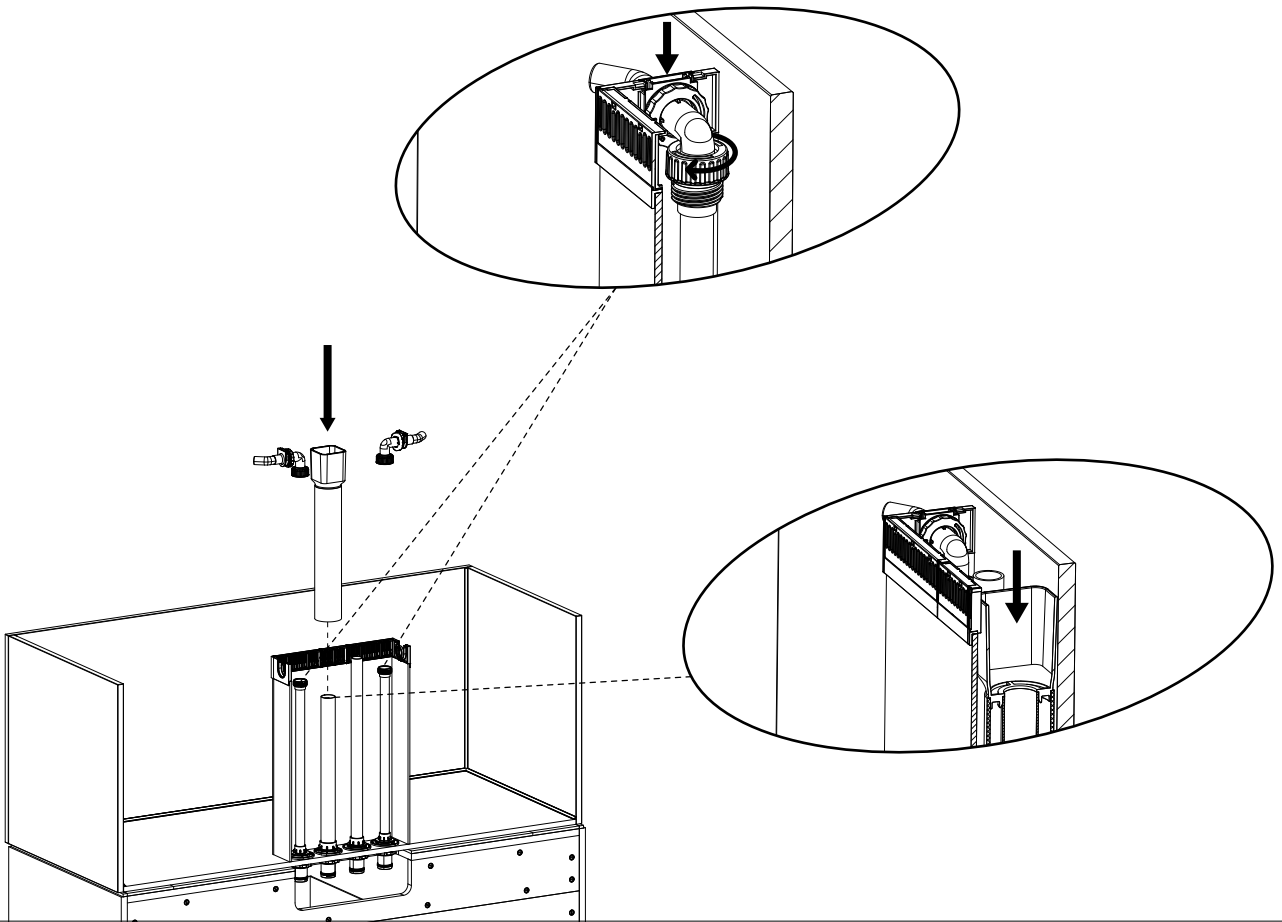


26

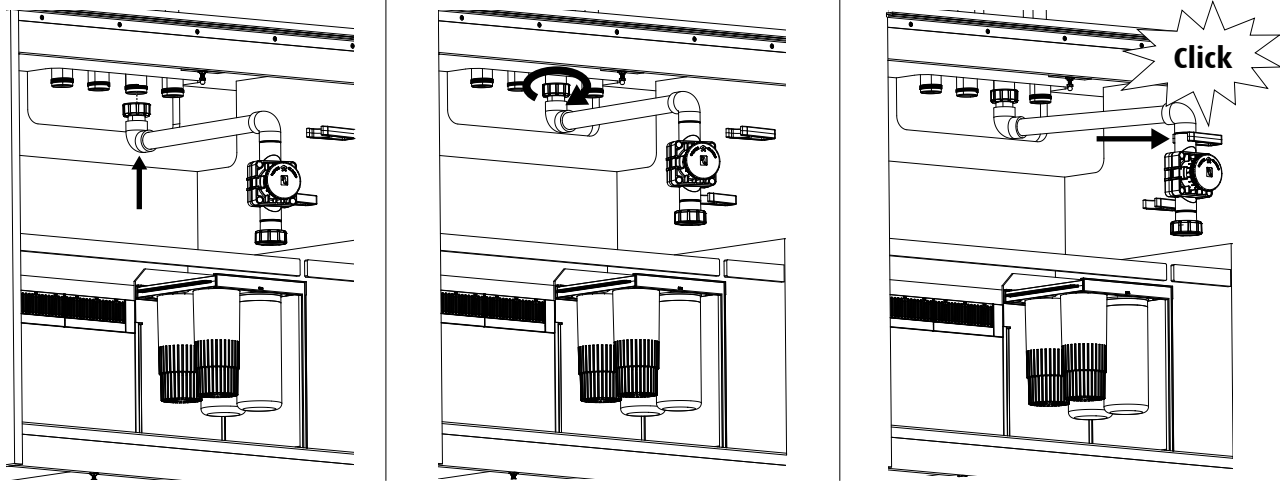




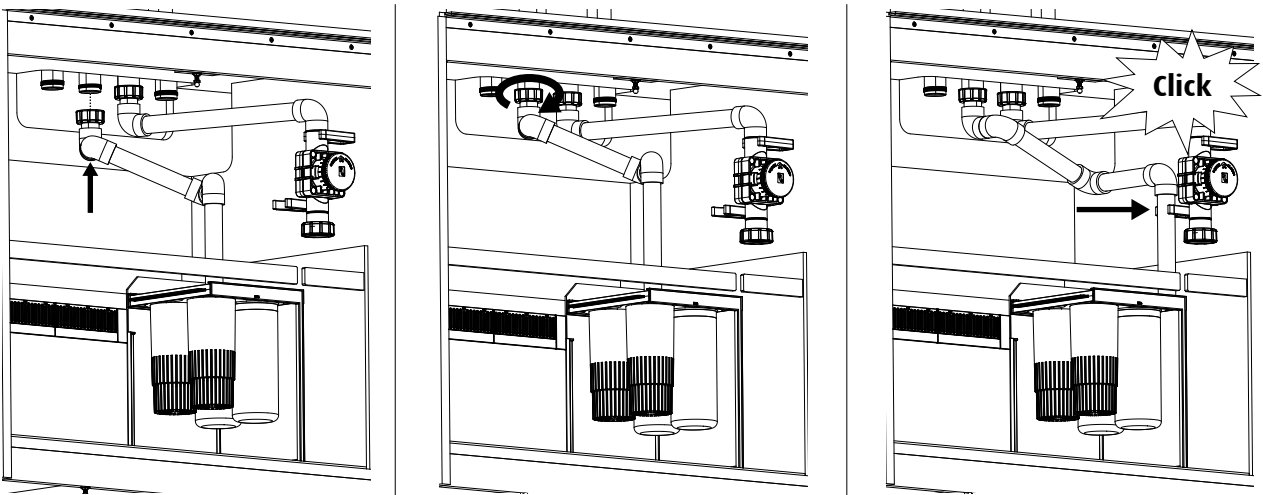
33



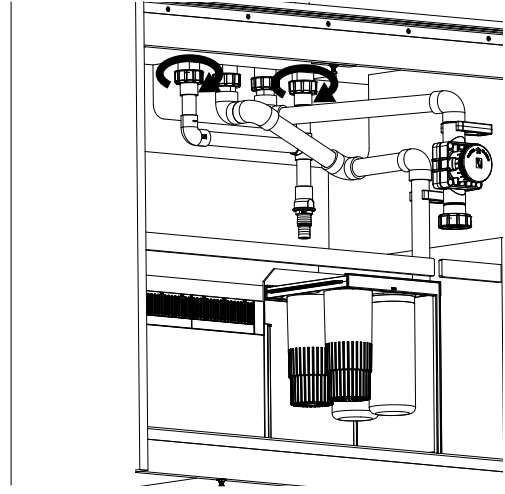
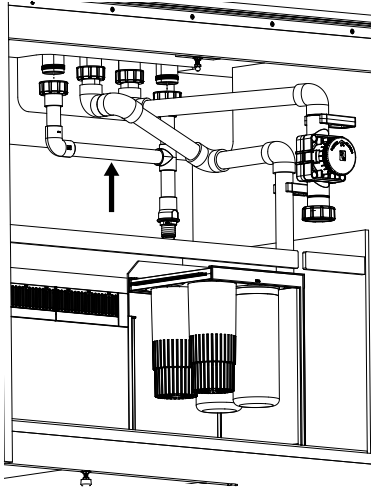
34



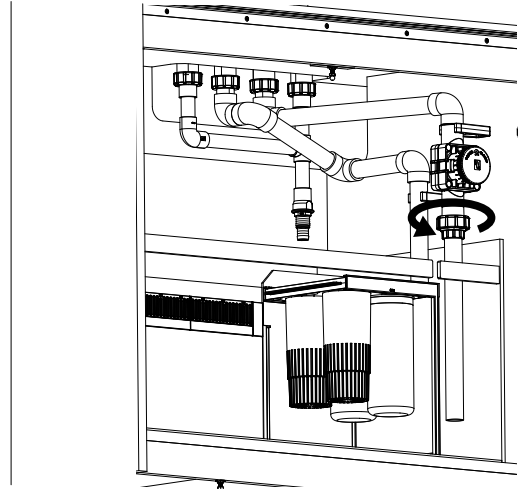
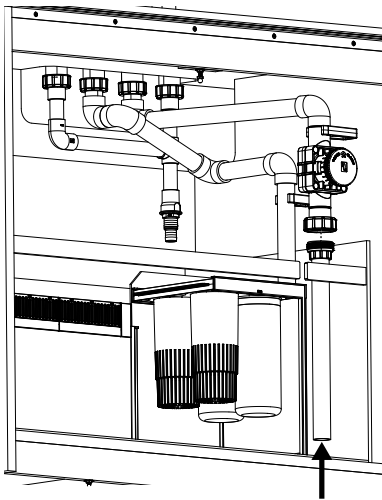
35



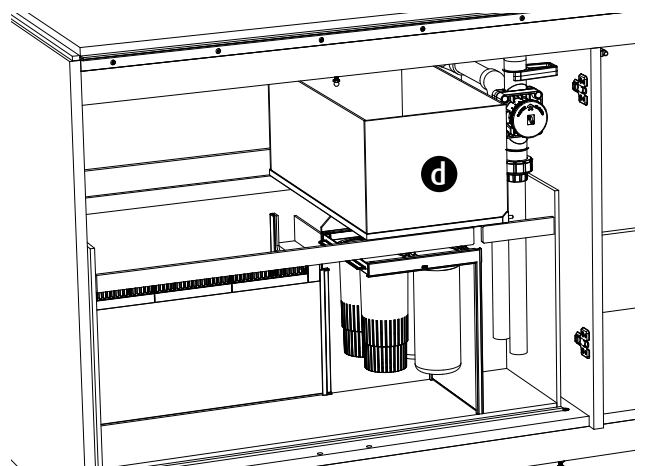
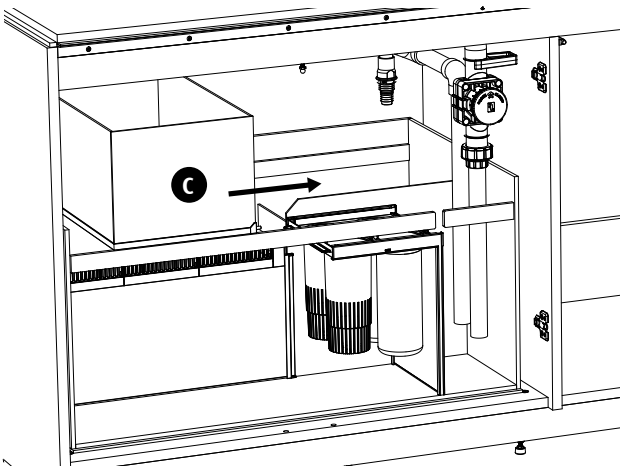
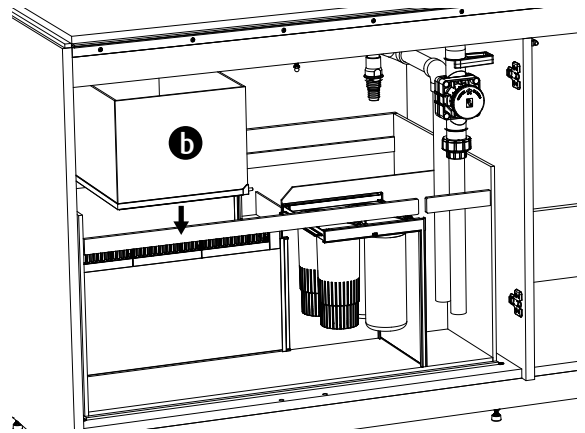
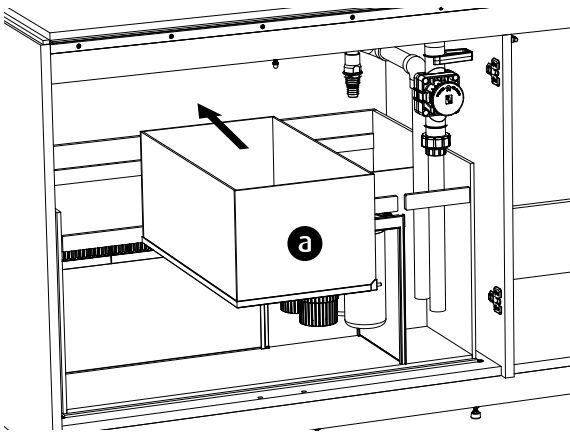
36



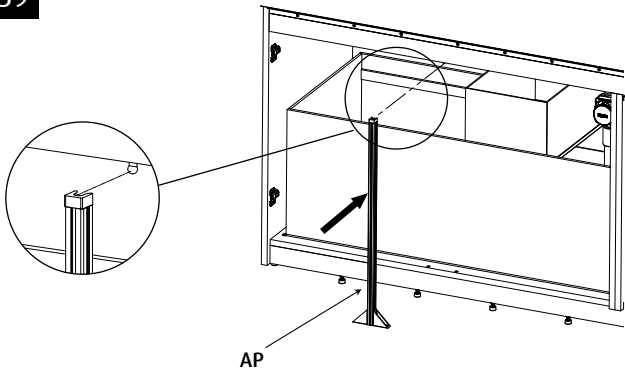
37



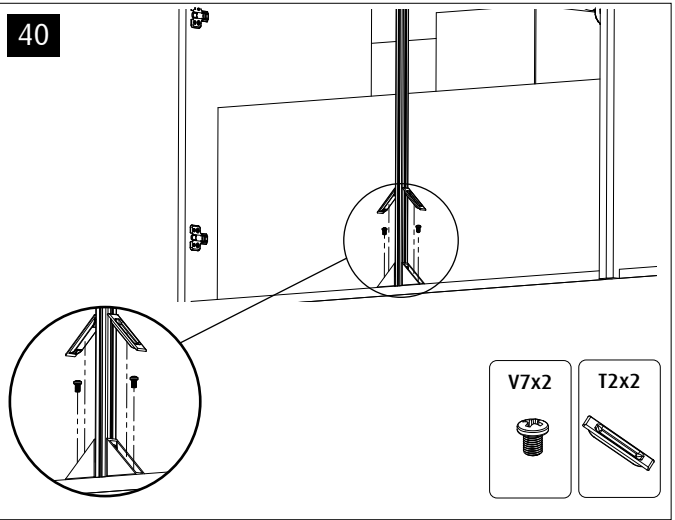
38



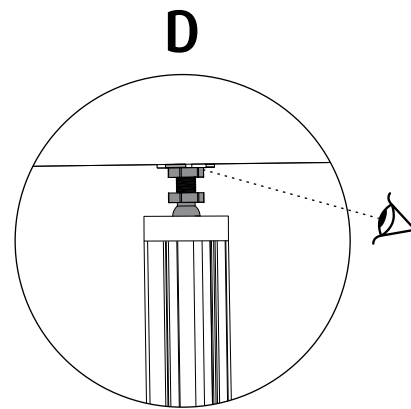
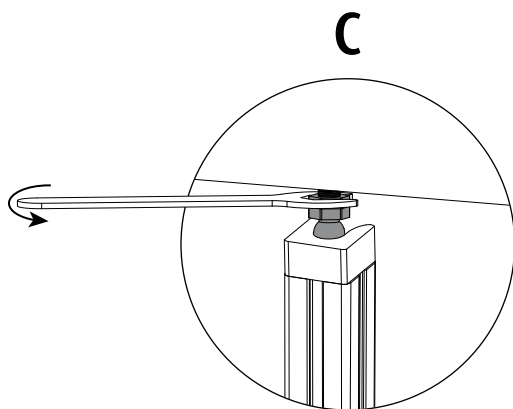
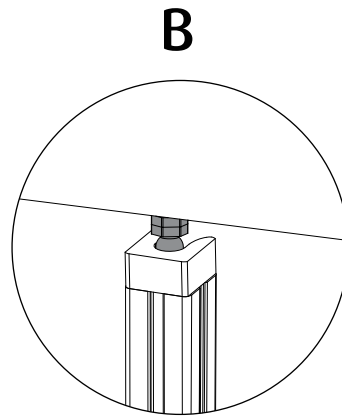
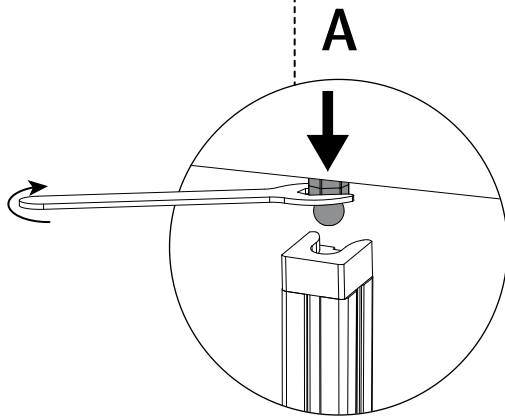
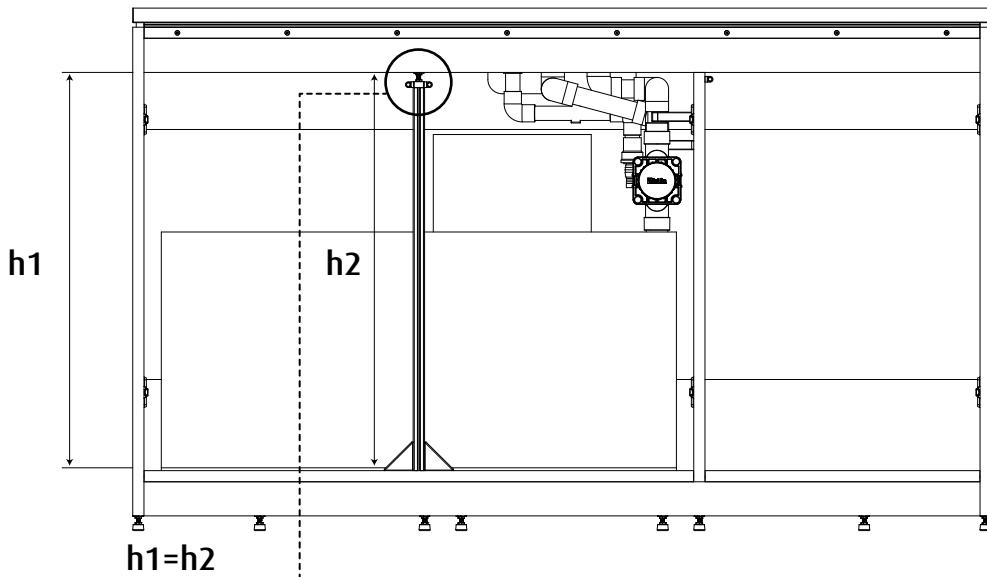
39

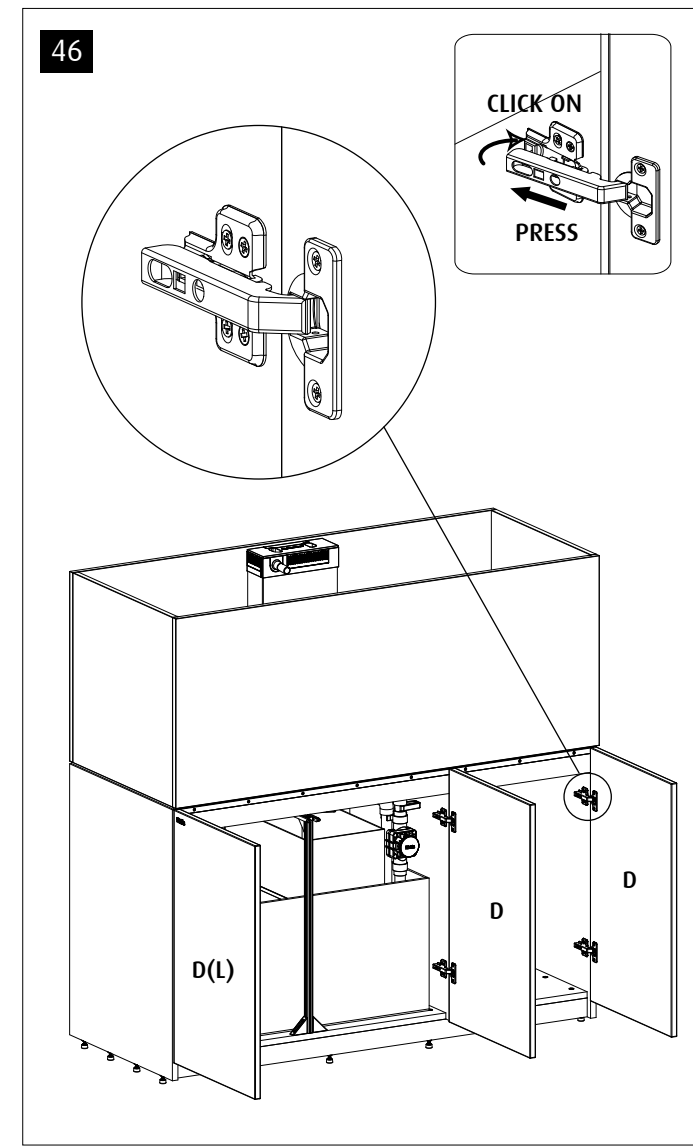
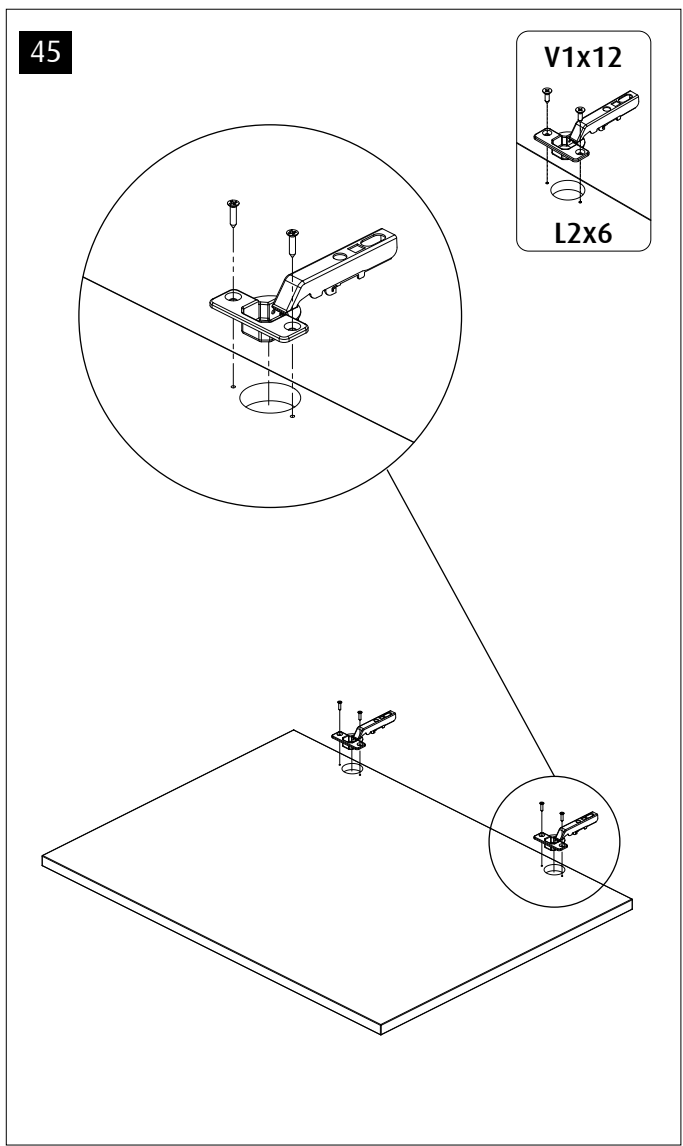
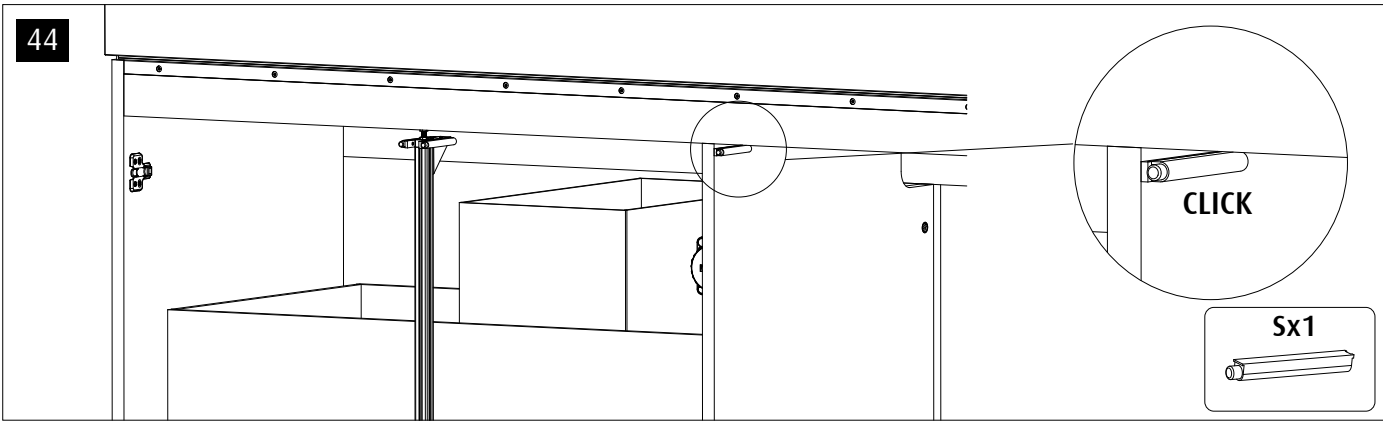
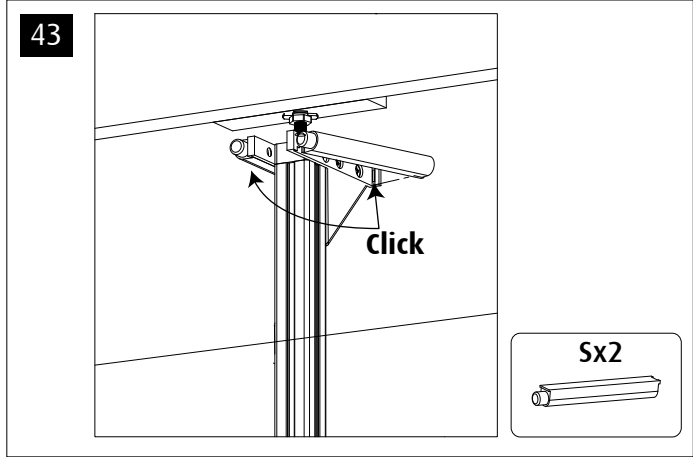
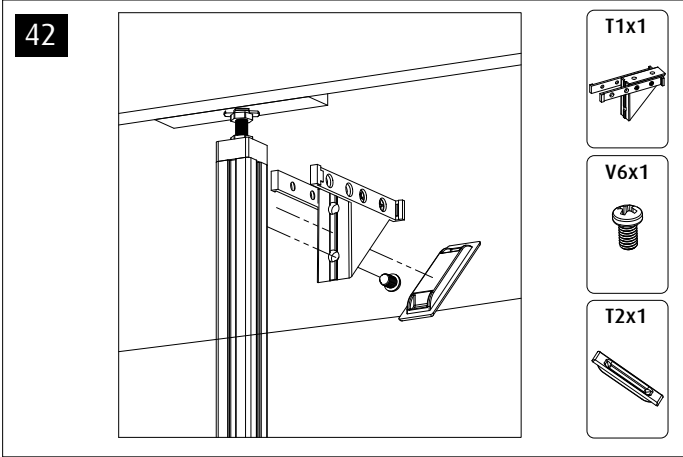


40

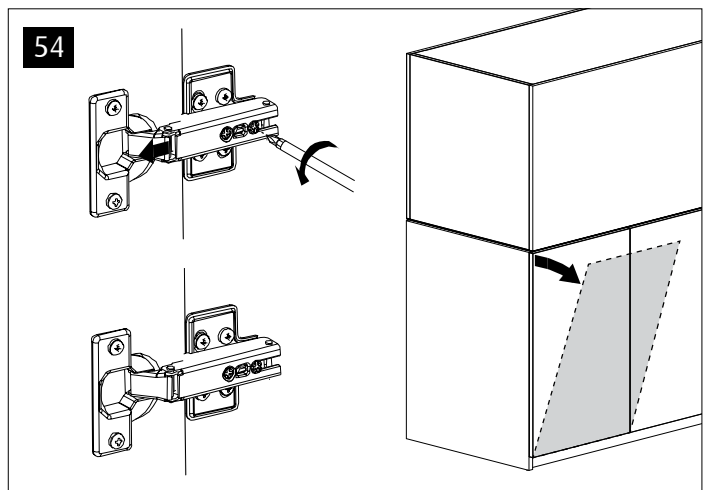
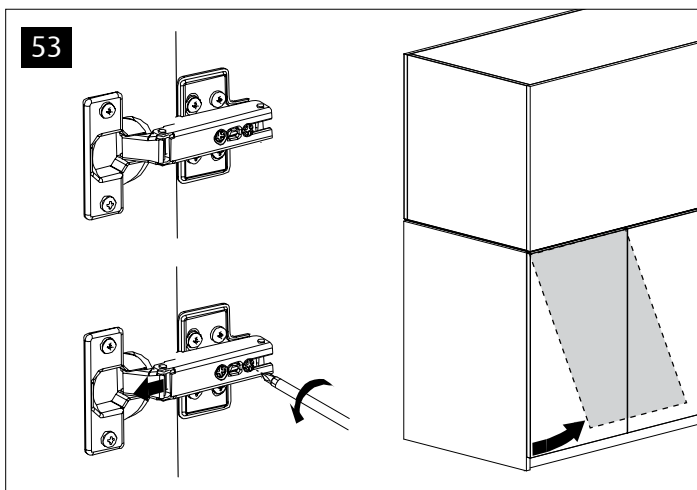
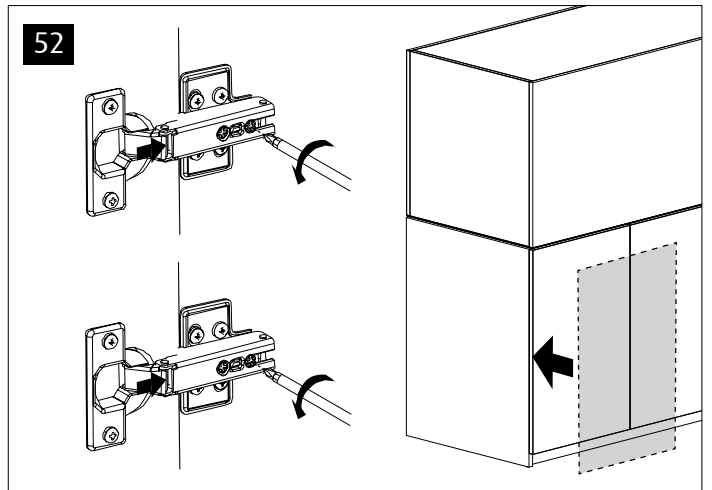
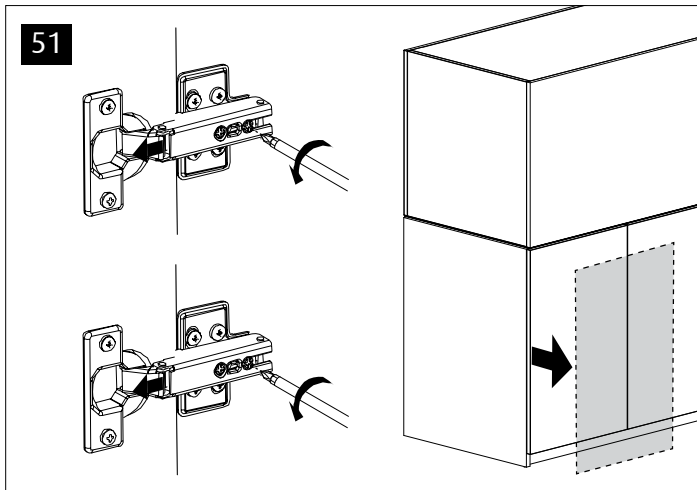
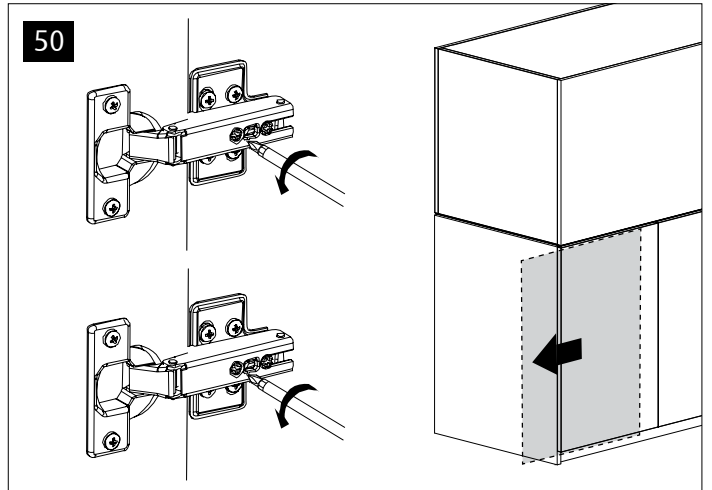
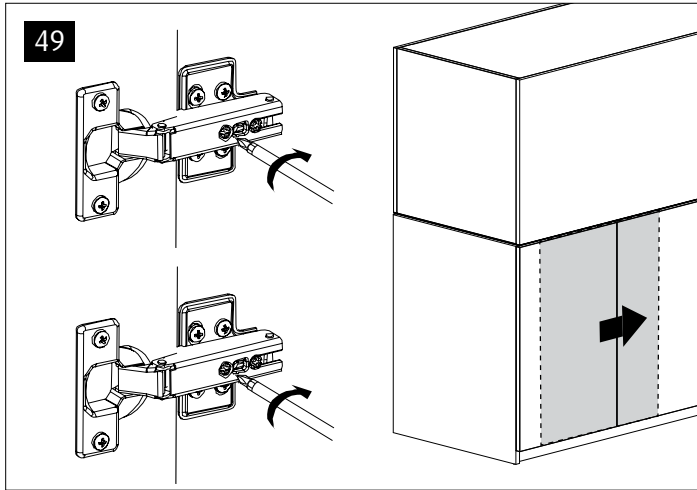
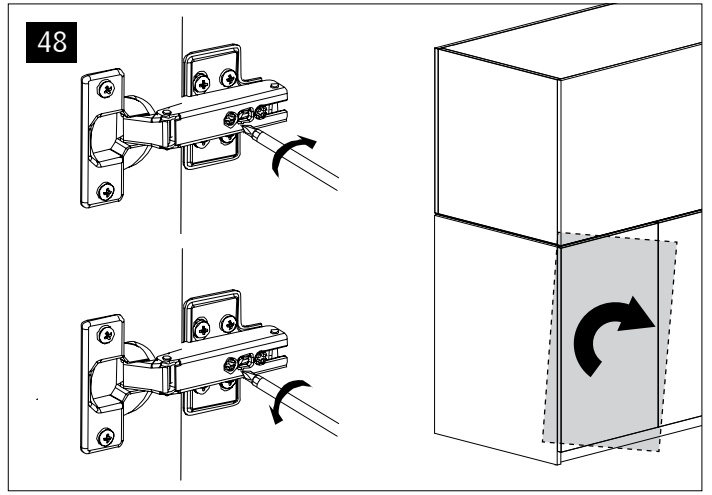
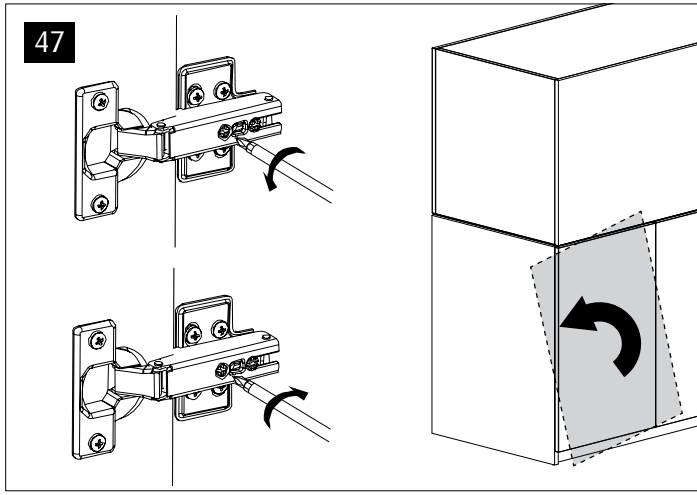


41

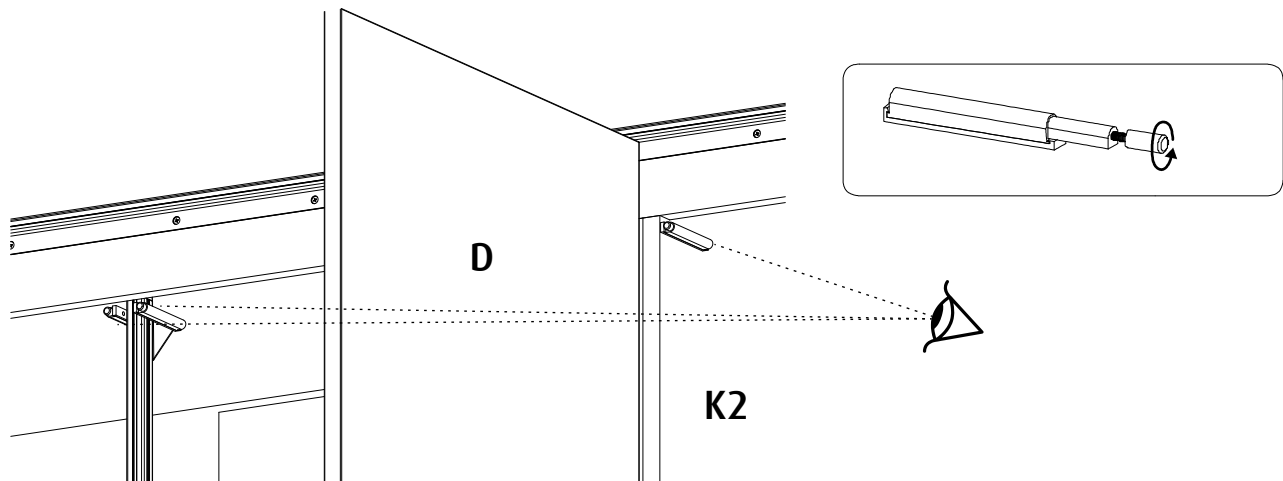




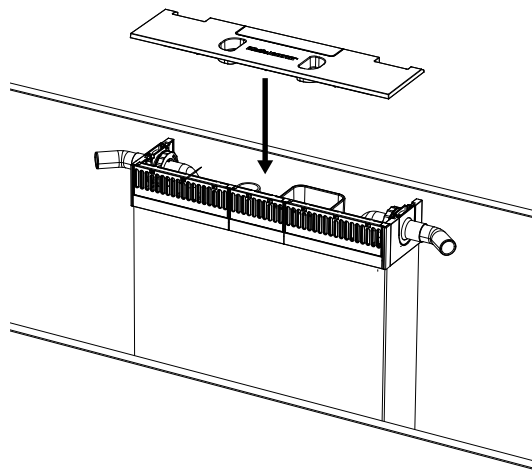




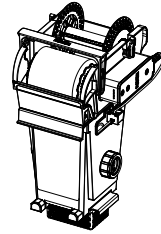
55



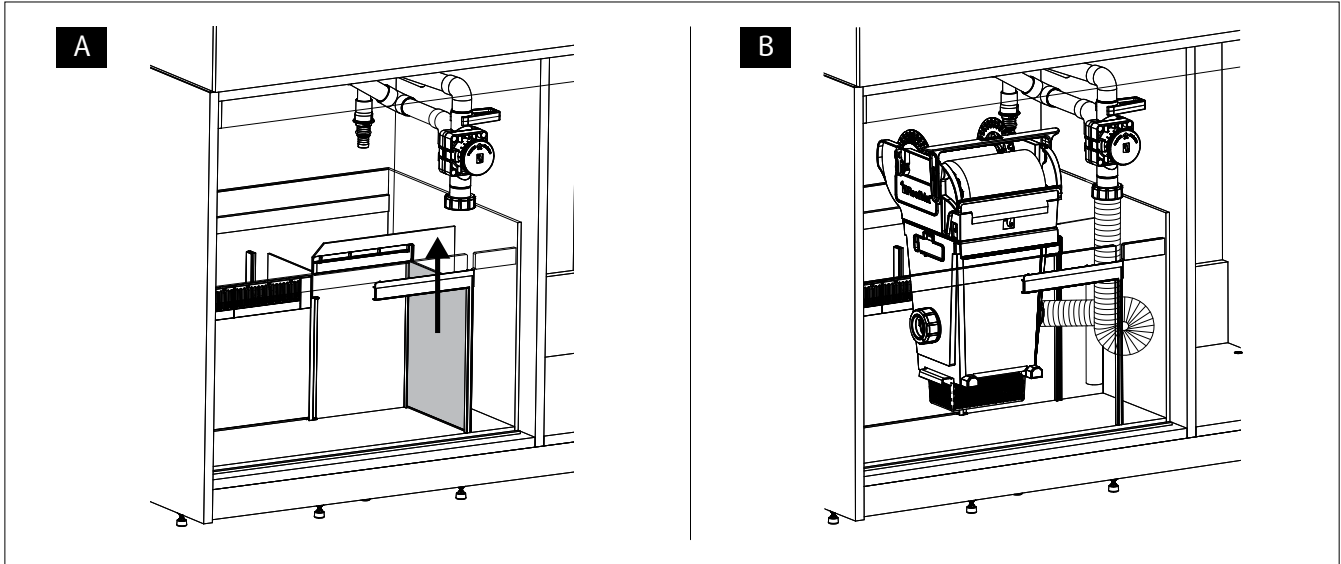
56



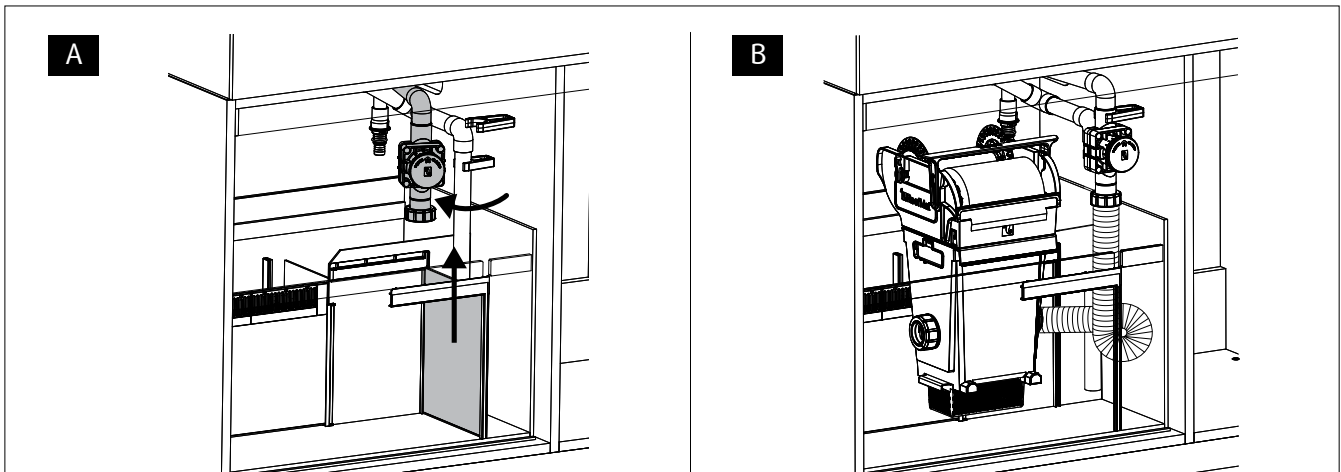
# ReefMat®



## 350 G2



## 425 G2



*Europe*

**Red Sea Europe**  
655 Rue des Frères Lumière  
27130 Verneuil d'Avre et d'Iton,  
France  
[support.fr@redseafish.com](mailto:support.fr@redseafish.com)

*UK & Ireland*

**Red Sea Aquatics (UK) Ltd**  
PO Box 1237  
Cheddar, BS279AG  
[uk.info@redseafish.com](mailto:uk.info@redseafish.com)

*North America*

**Red Sea U.S.A & Canada**  
4687 World Houston  
Parkway #200  
Houston, TX 77032, U.S.A  
[support.usa@redseafish.com](mailto:support.usa@redseafish.com)

*Germany & Austria*

**Red Sea Deutschland**  
Büro Deutschland  
Prinzenallee 7 (Prinzenpark)  
40549 Düsseldorf  
[support.de@redseafish.com](mailto:support.de@redseafish.com)

*China*

**Red Sea Aquatics (GZ) Ltd.**  
Block A3, No.33 Hongmian Road,  
Xinhua Industrial Park,  
Huadu District, Guangzhou City,  
China, Postal code 510800.  
Tel: +86-020-6625 3828  
[info.china@redseafish.com](mailto:info.china@redseafish.com)

  
**Red Sea**  
[www.redseafish.com](http://www.redseafish.com)