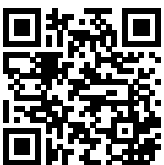


Red Sea REEFER™

350 G2/425 G2

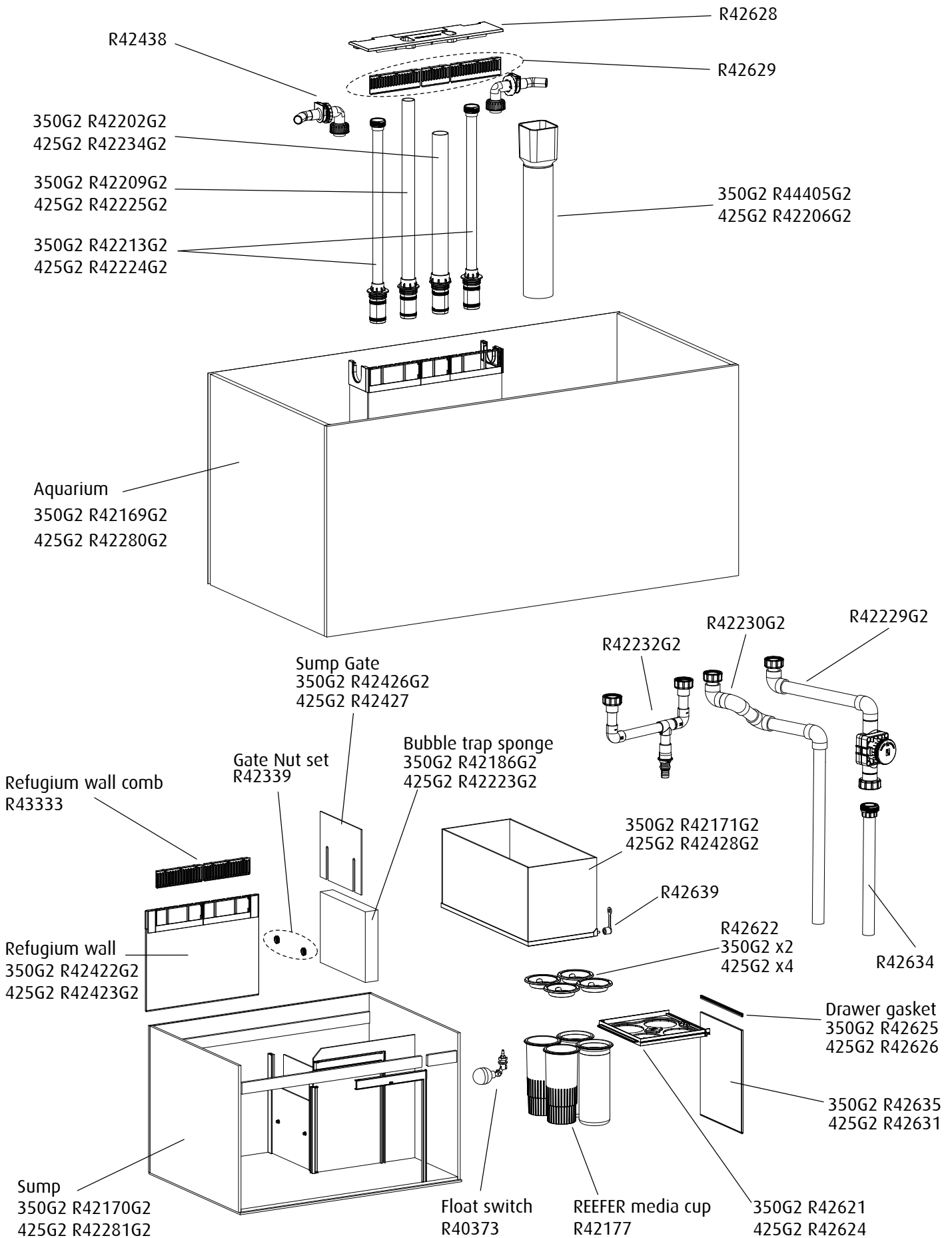
Aquarium & Cabinet Assembly Manual



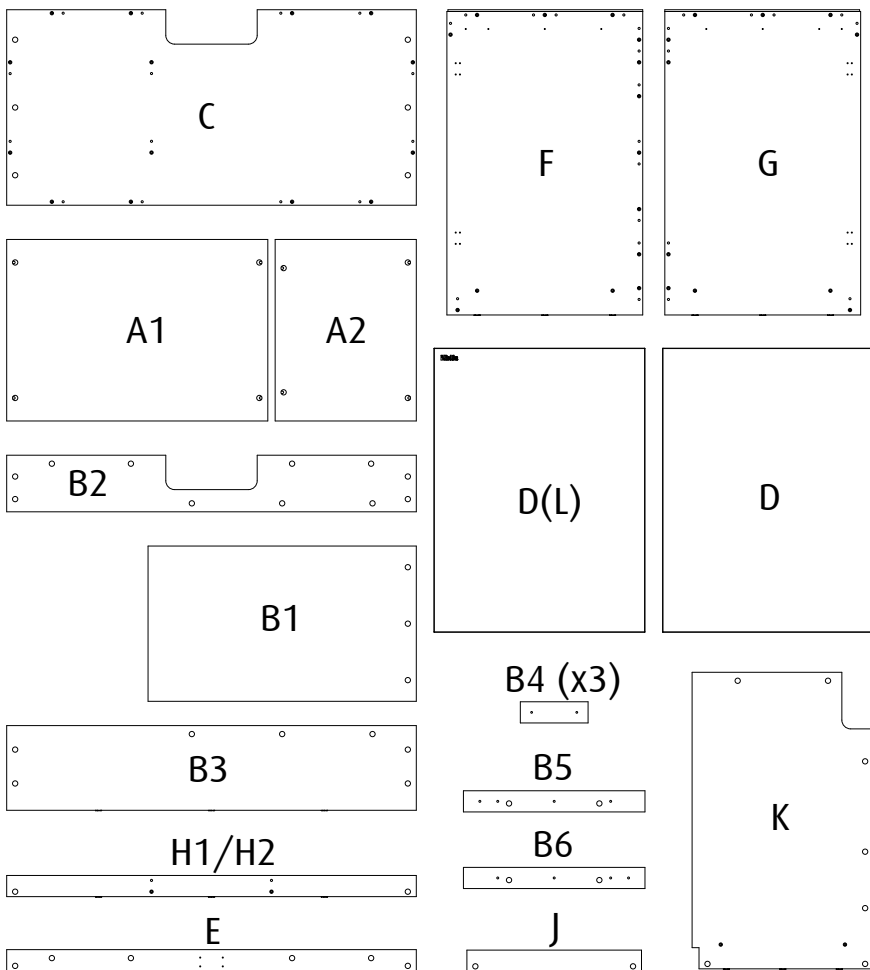
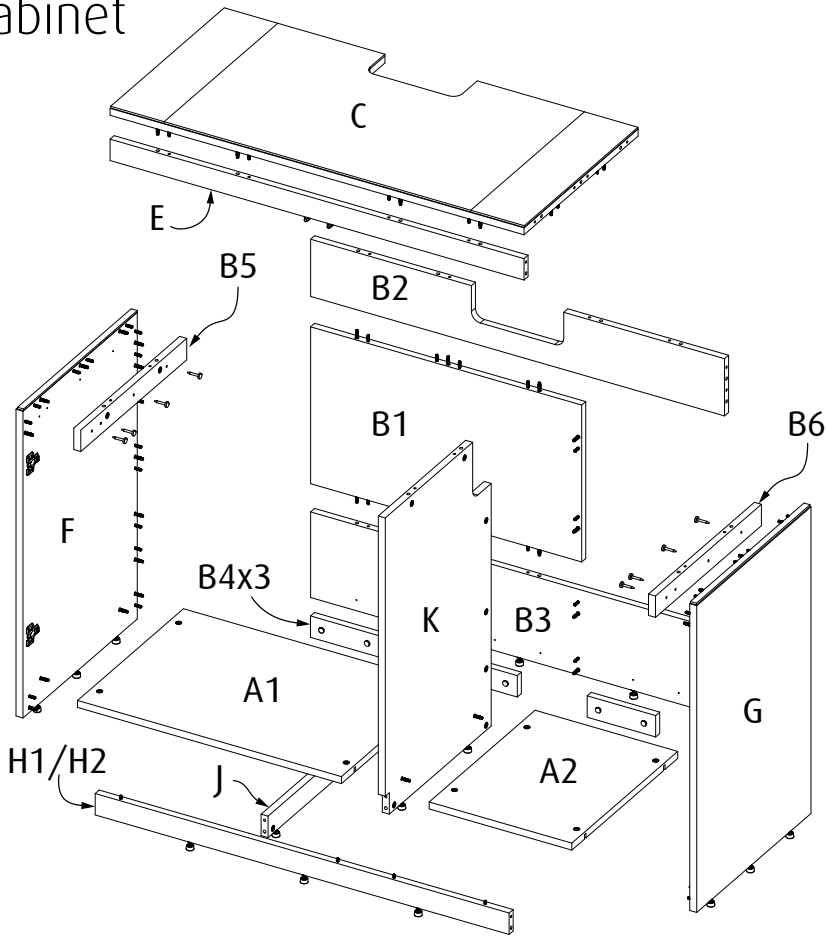
Resource & Support Center:
www.redseafish.com/support/



Aquarium Water Management System

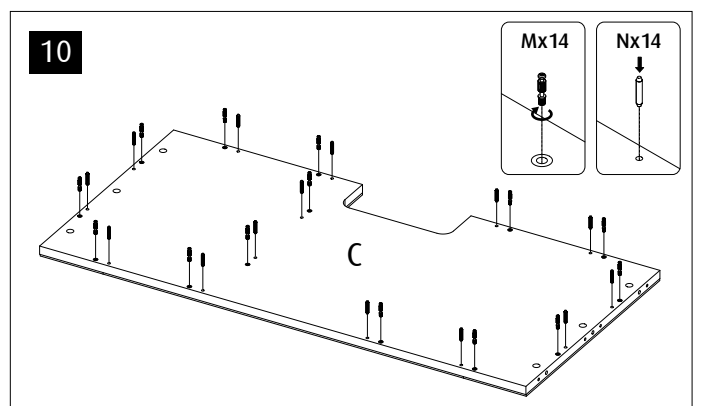
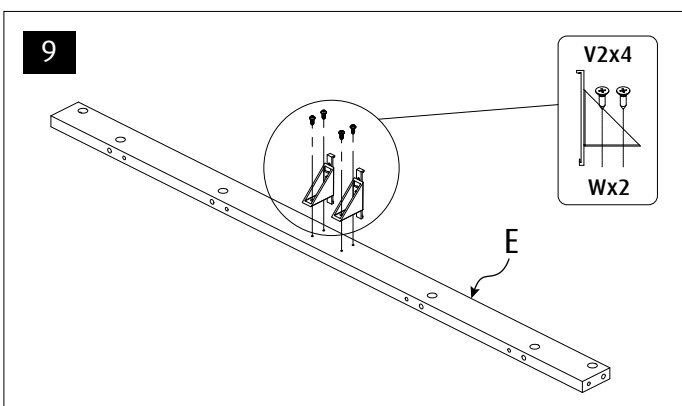
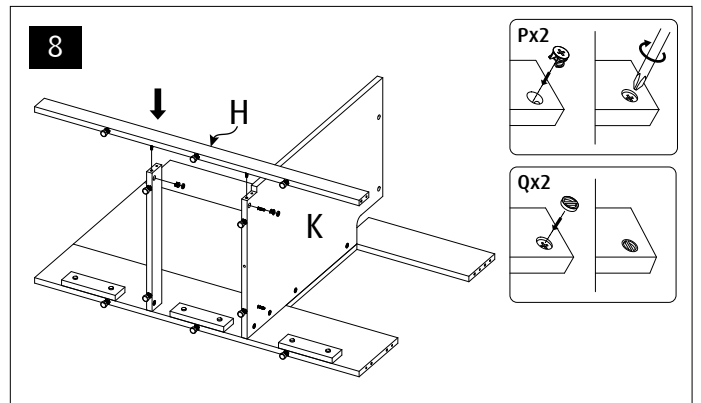
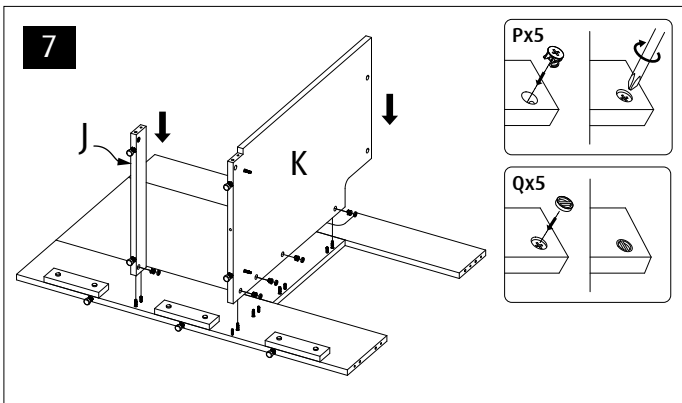
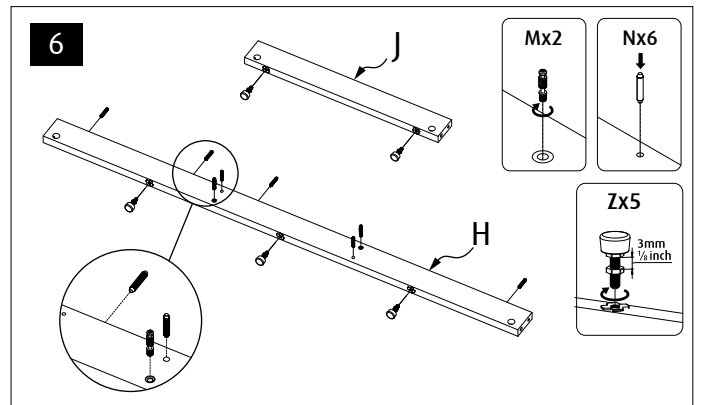
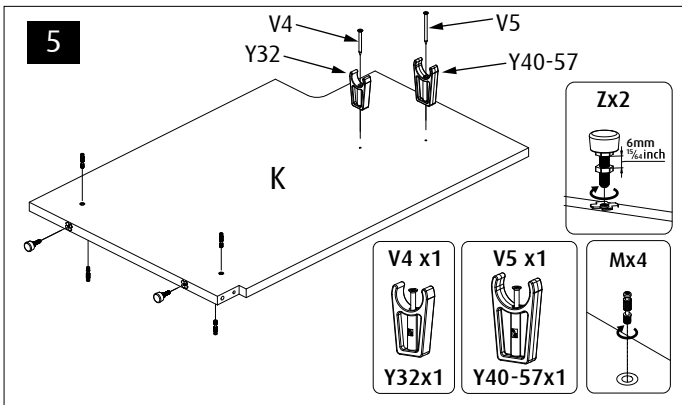
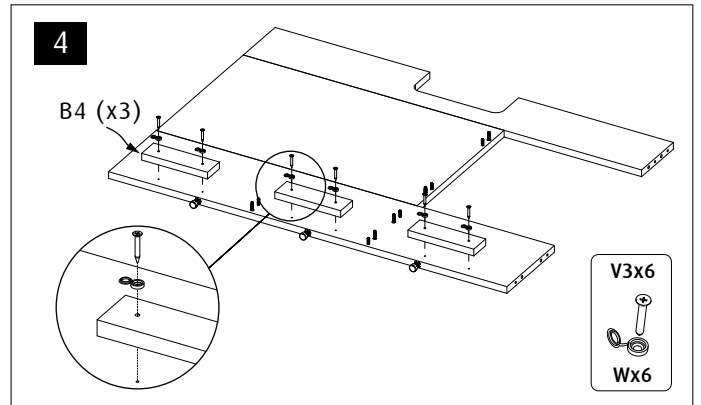
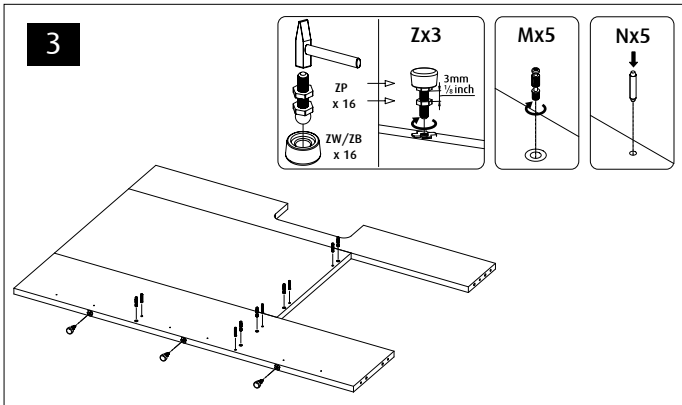
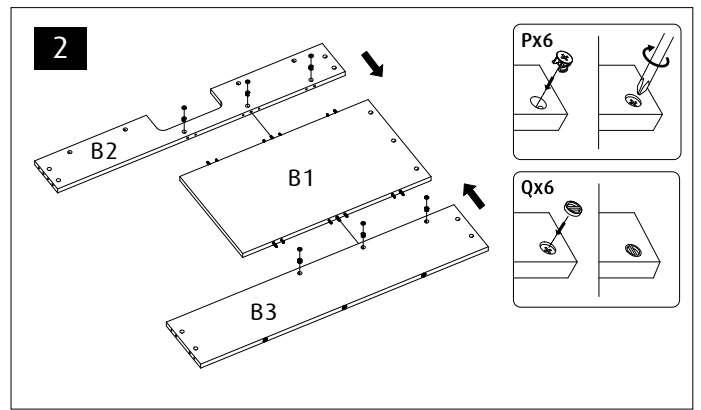
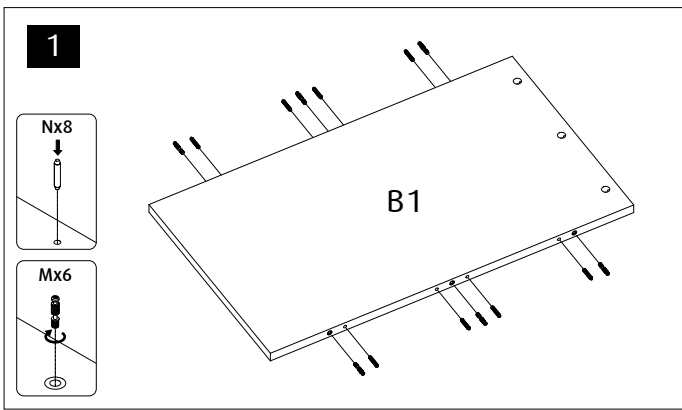


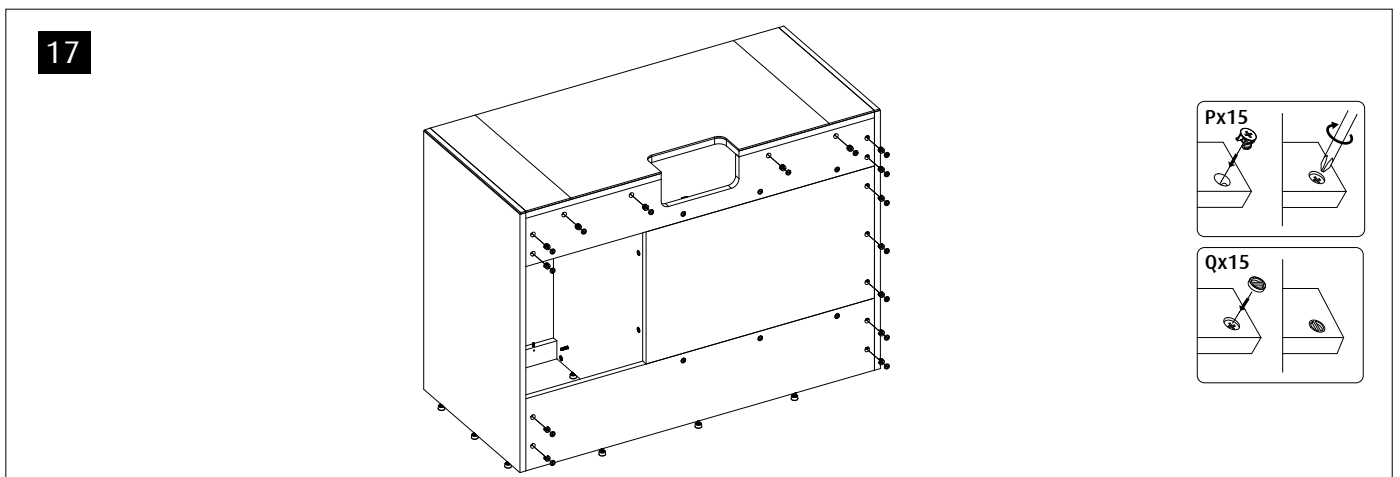
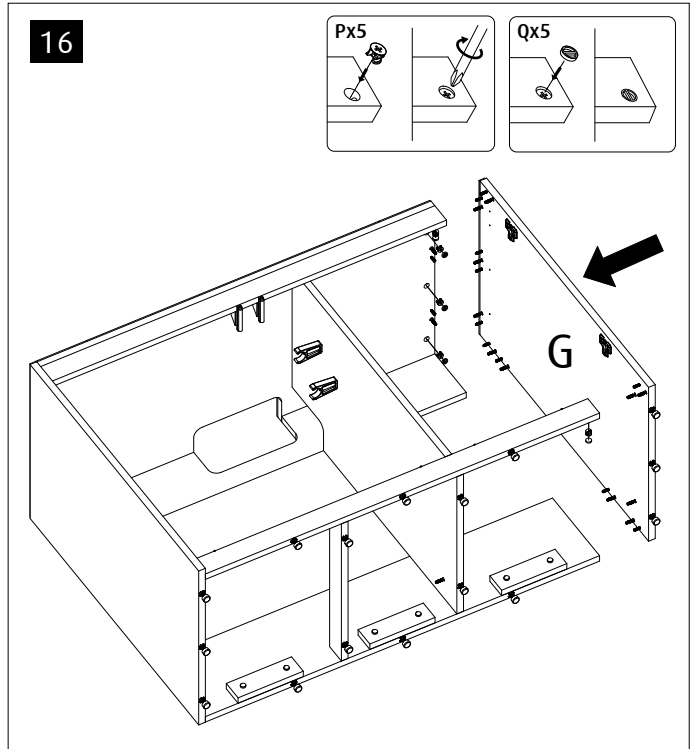
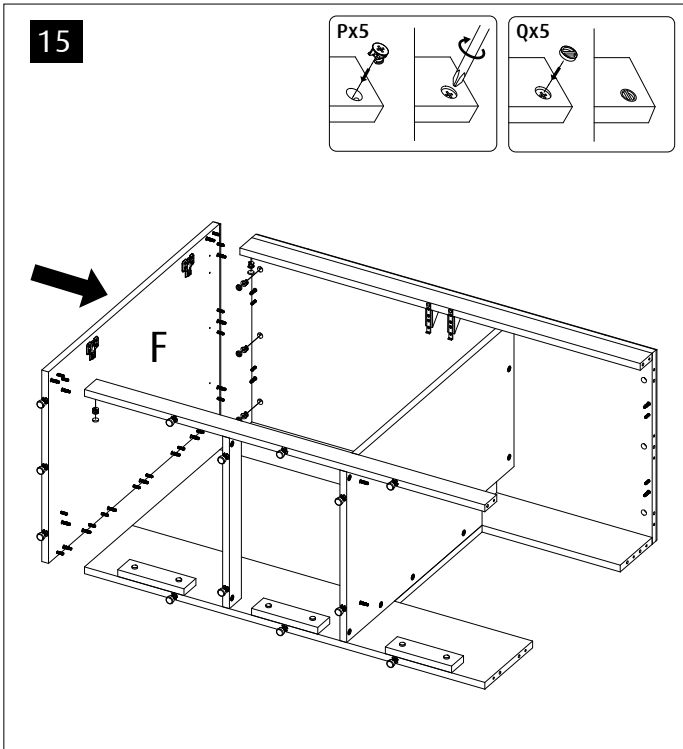
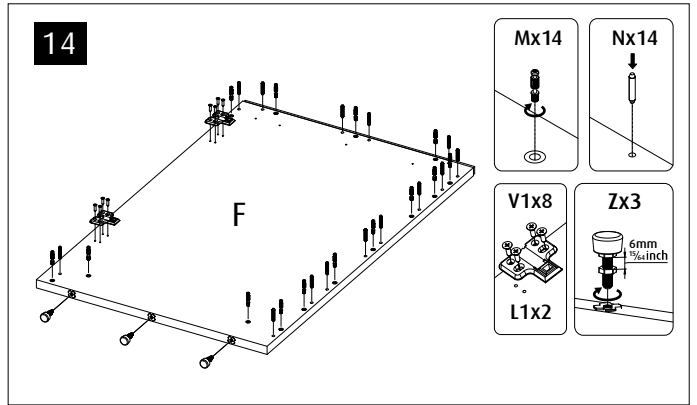
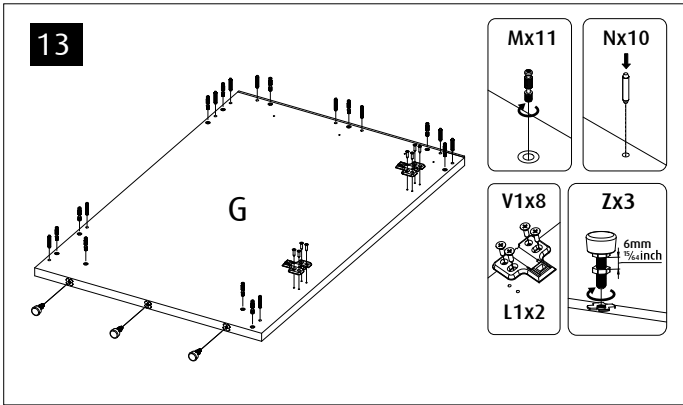
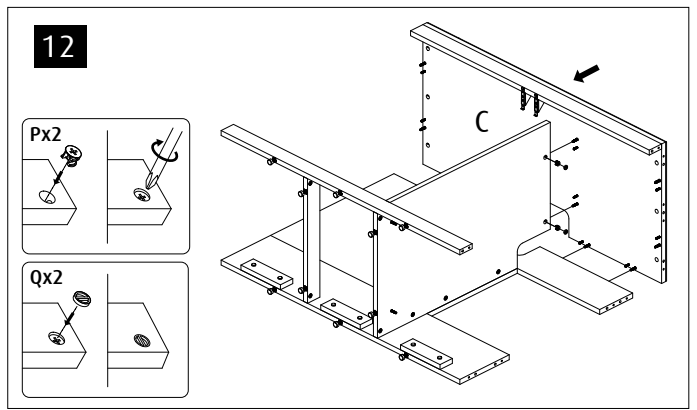
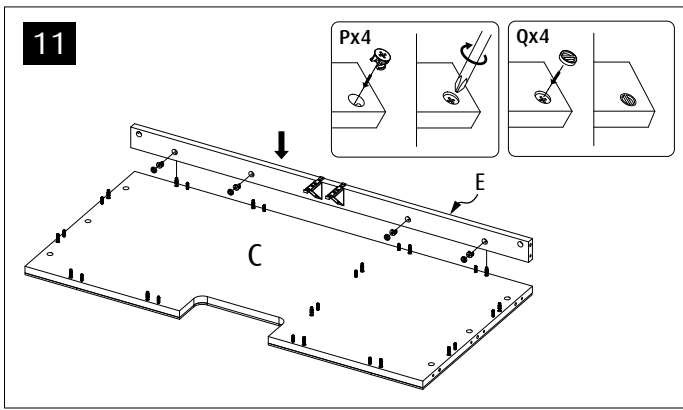
Cabinet

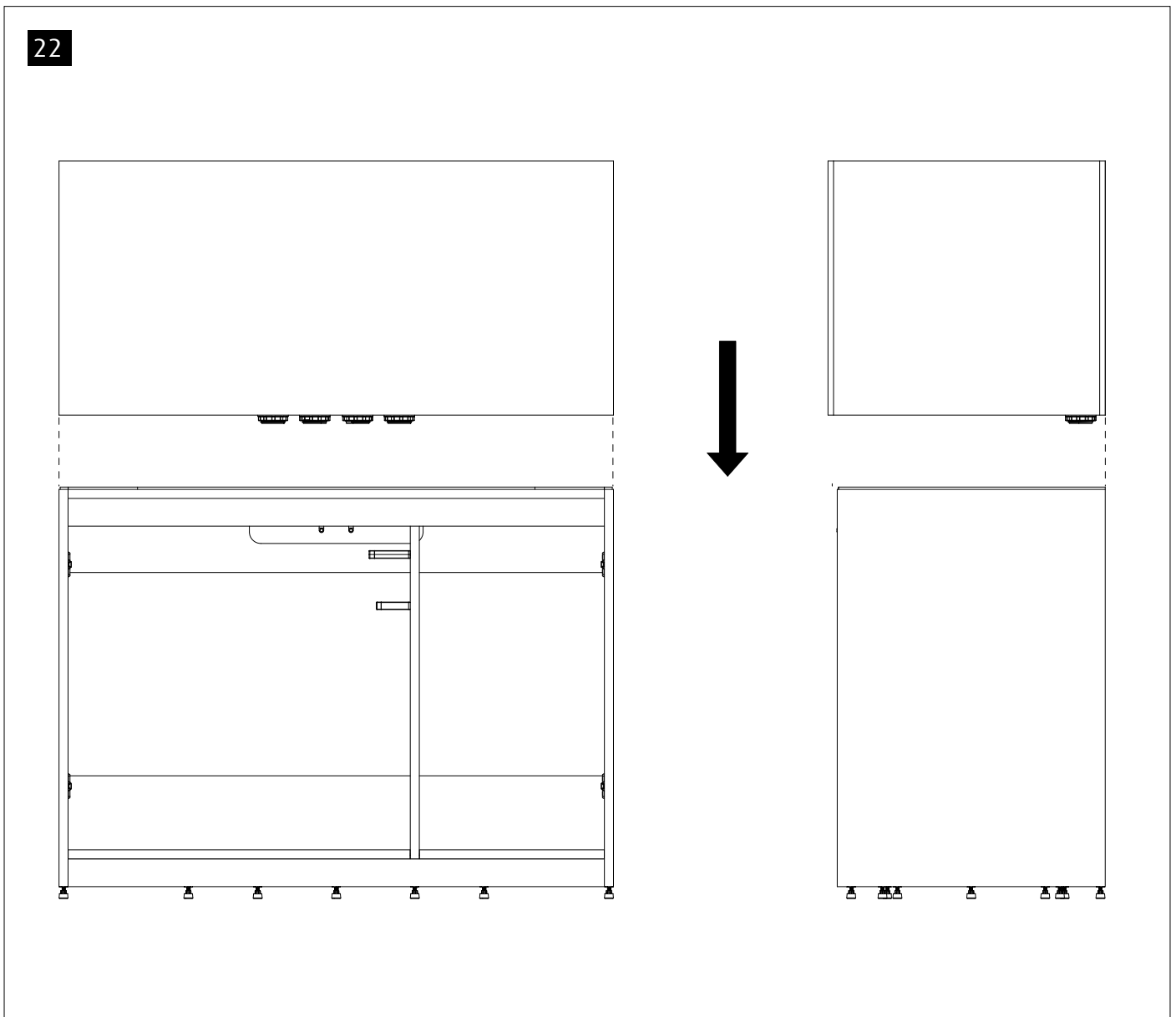
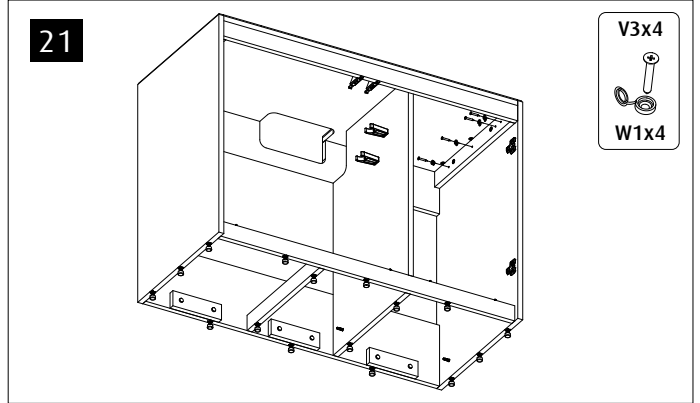
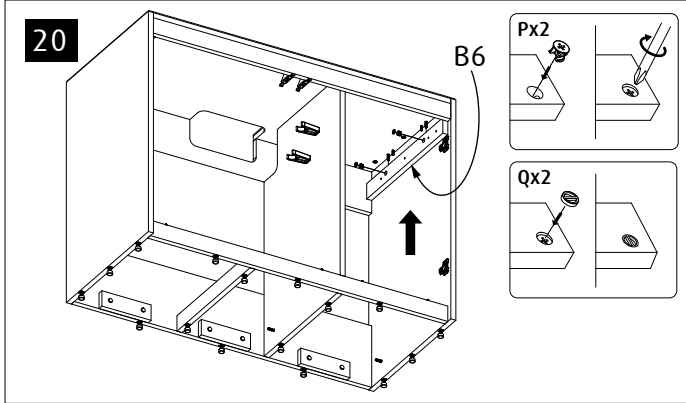
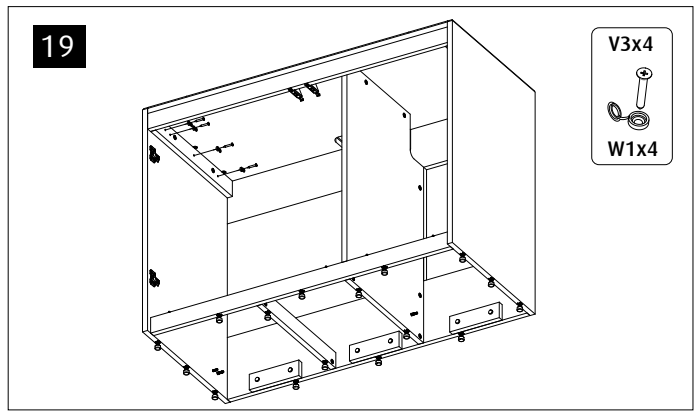
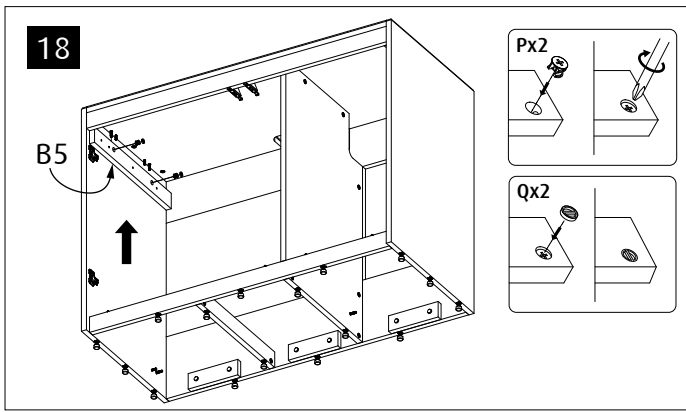


	350 G2	425 G2		
L1				
L2	4	4		
N	57	57		
M	56	60		
P	56	60		
Q	56	60		
S	2	2		
W	2	2		
V1	ST4x16	24	24	
V2	ST3.5x14	4	4	
V3	ST5x35	14	14	
V4	ST5x60	1	1	
V5	ST5X70	1	1	
W1		14	14	
Y32-48		1	1	
Y40-57		1	1	
ZP	ZW	ZB	16	16

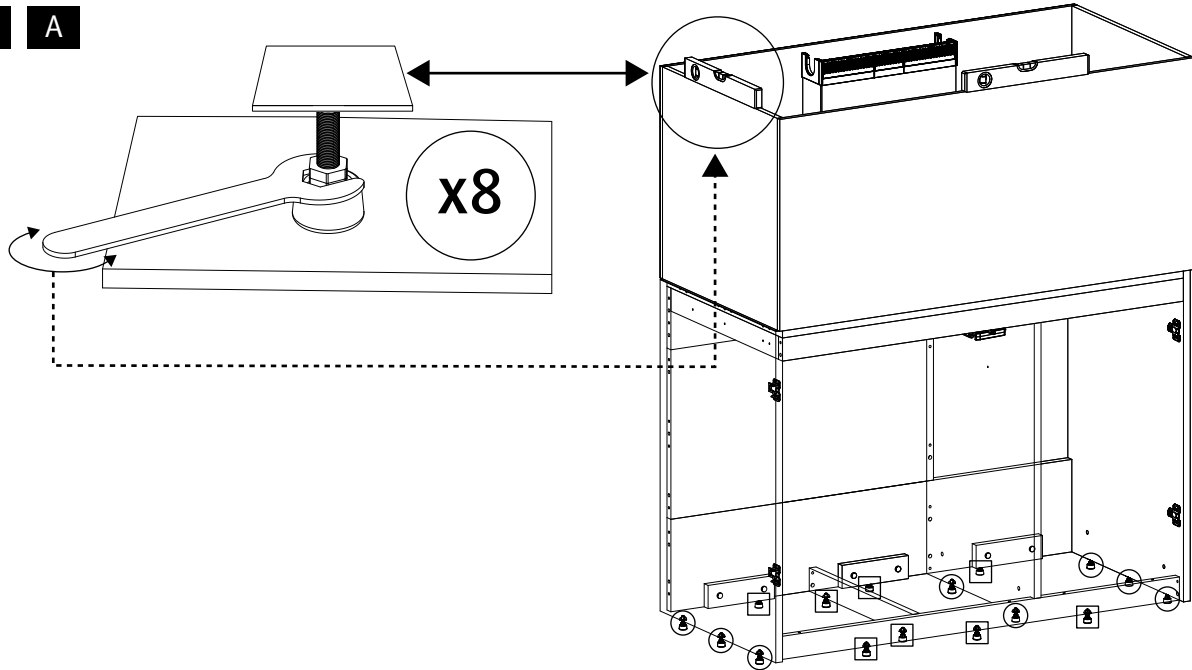
	350 G2	425 G2	Part Description
A1	5292A-B	6617G2	Cabinet Bottom Sump
A2	5299A-B	6618G2	Cabinet Bottom Chiller
B1	6628A-B	6628A-B	Cabinet Rear Middle
B2	6629G2	6629G2	Cabinet Rear Top
B3	6619A-B	6619A-B	Cabinet Rear Bottom
B4	6620	6620	Cabinet Rear bottom support
B5	5289G2-L	6615G2-L	Cabinet Side Top support Left
B6	5289G2-R	6615G2-R	Cabinet Side Top support Right
C	5291G2 (Located under the glass tank)	6616G2 (Located under the glass tank)	Cabinet Top
D	5275B/W	5275B/W	Cabinet Door
E	6630	6630	Cabinet Front Upper
F	5276G2-B /WB	6624G2-B /WB	Cabinet Side Left
G	5277G2-B /WB	6625G2-B /WB	Cabinet Side Right
H1	6627G2-B	6627G2-B	Cabinet Sockel Black
H2	6627G2-WB	6627G2-WB	Cabinet Sockel White
J	5287A-B	6626G2	Cabinet Base Support
K	5297G2	6623G2	Cabinet Internal Wall





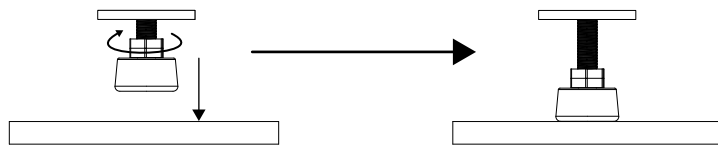


23 A



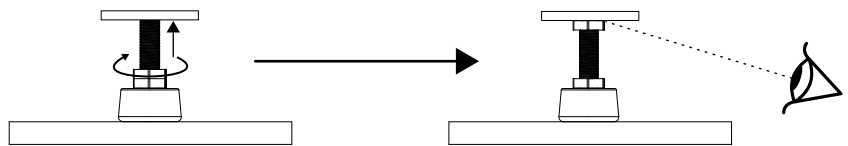
B

x10

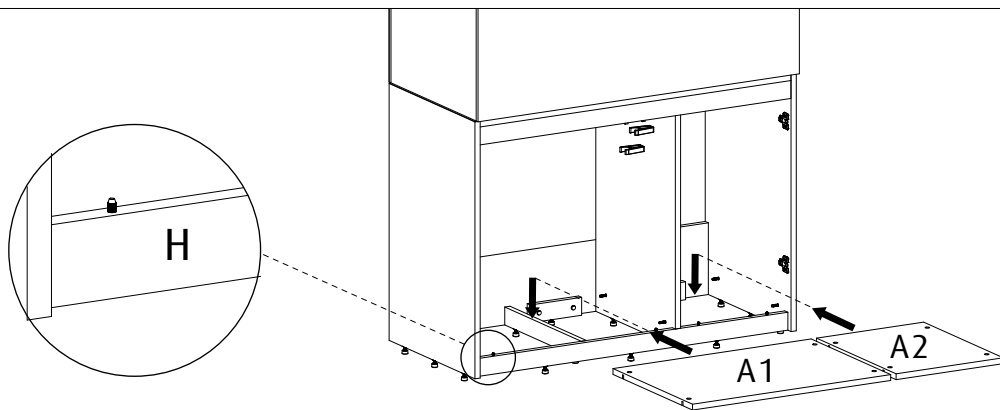


C

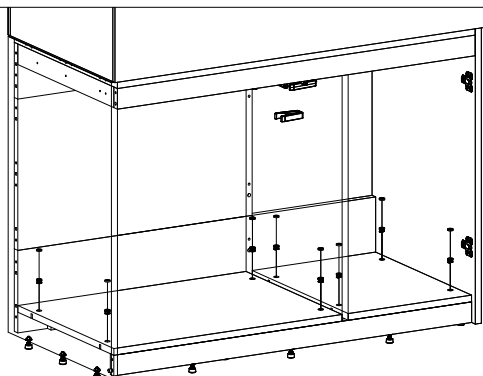
x16



24



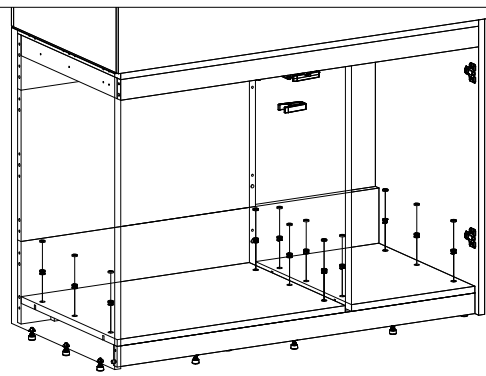
25



Px8

Qx8

350 G2

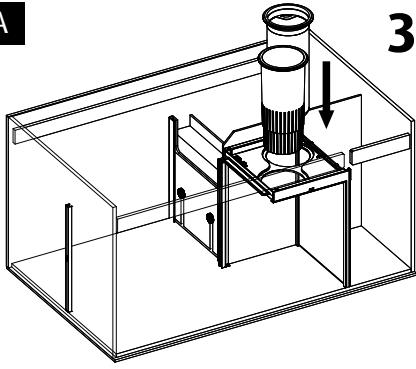


Px12

Qx12

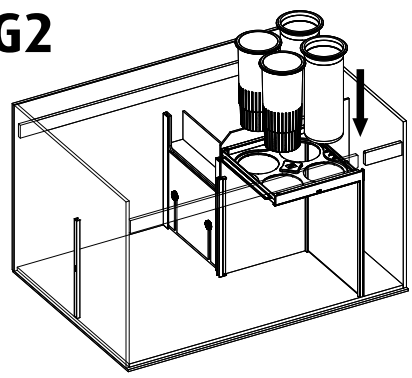
425 G2

26 A

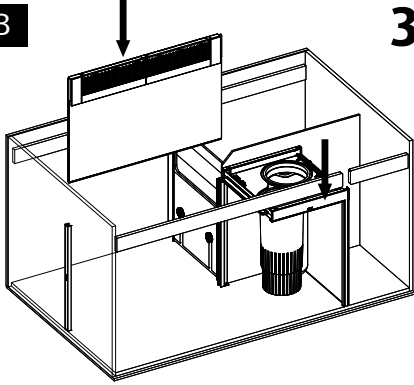


350 G2

425 G2

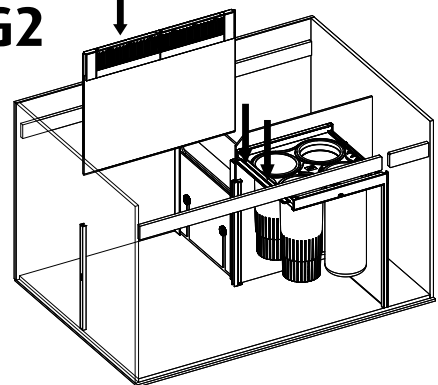


B

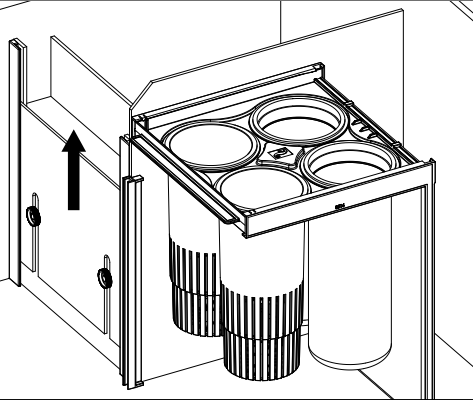


350 G2

425 G2

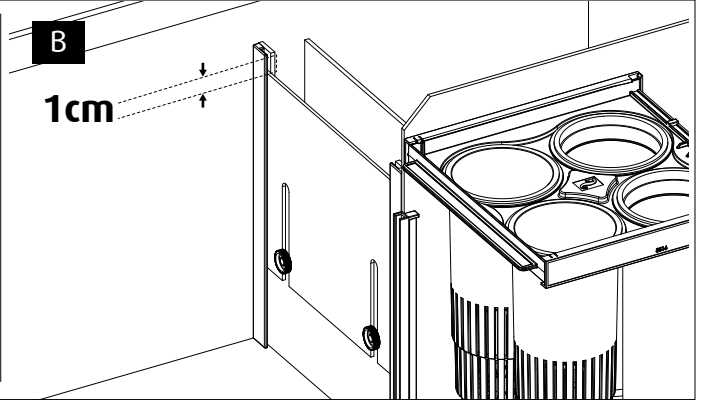


27 A

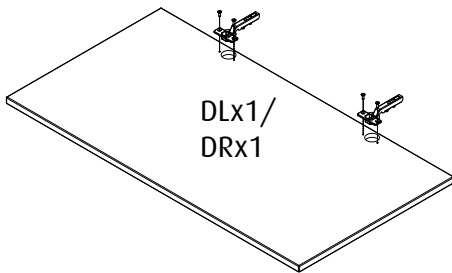


B

1cm



28

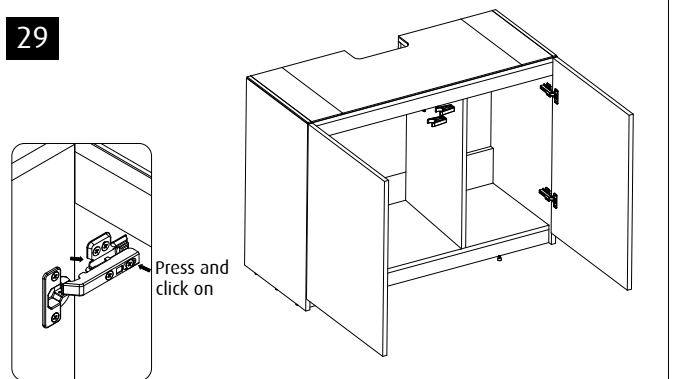


V1x8

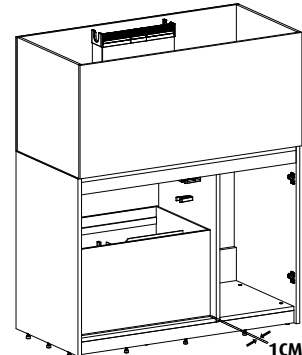
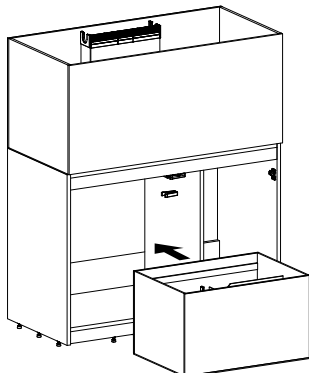


DLX1/
DRX1

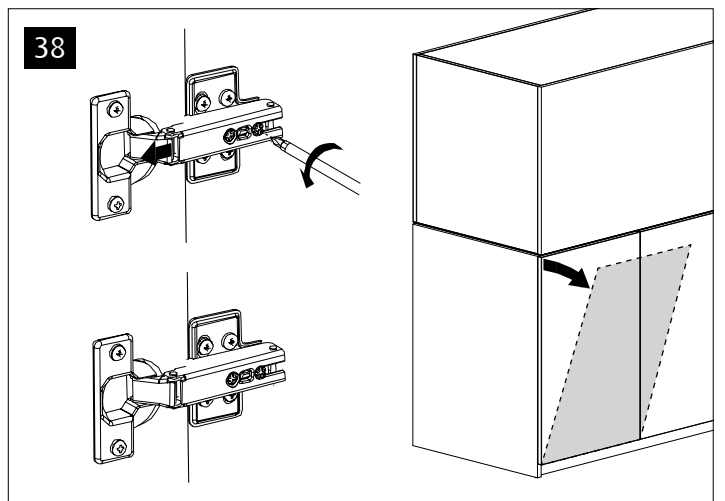
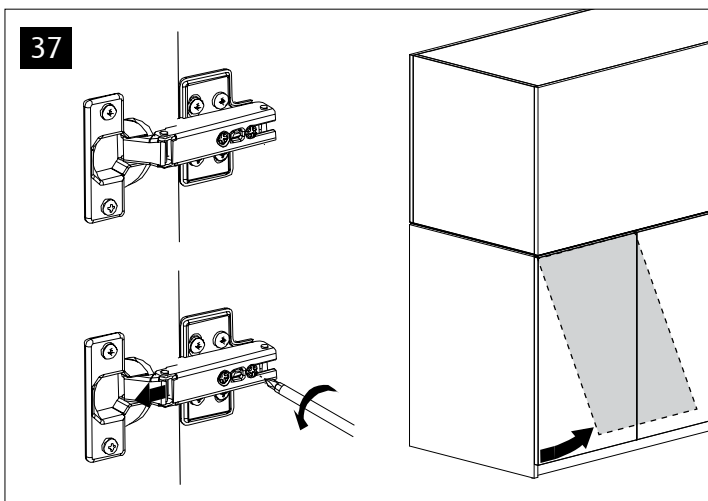
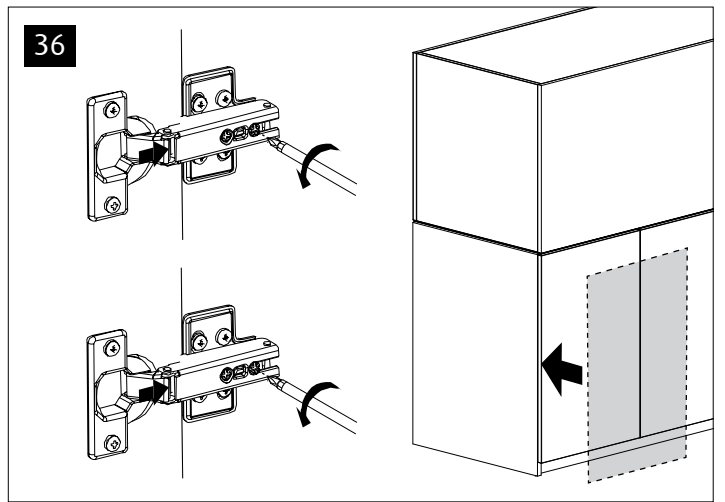
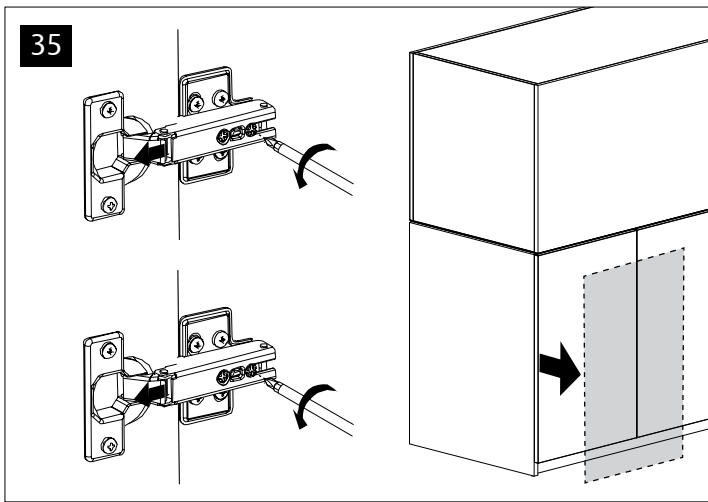
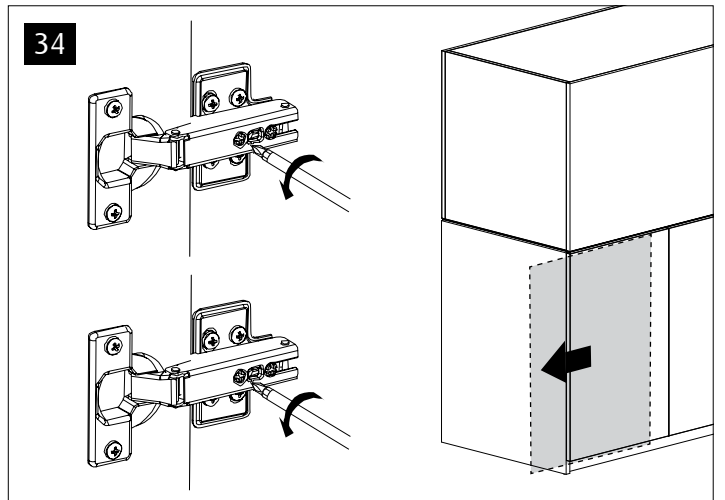
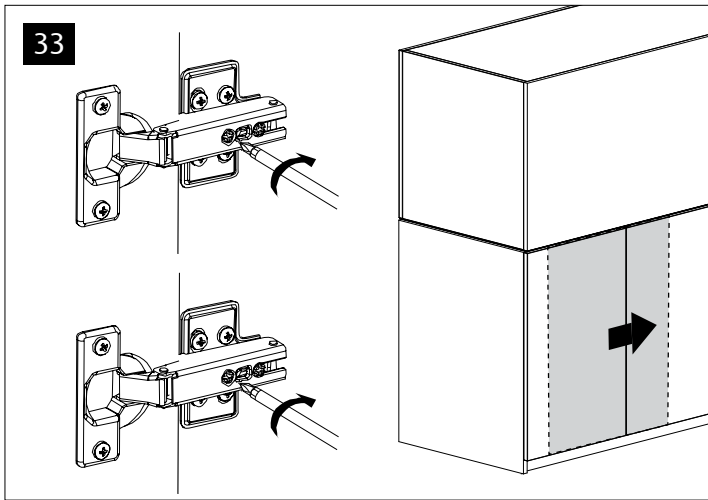
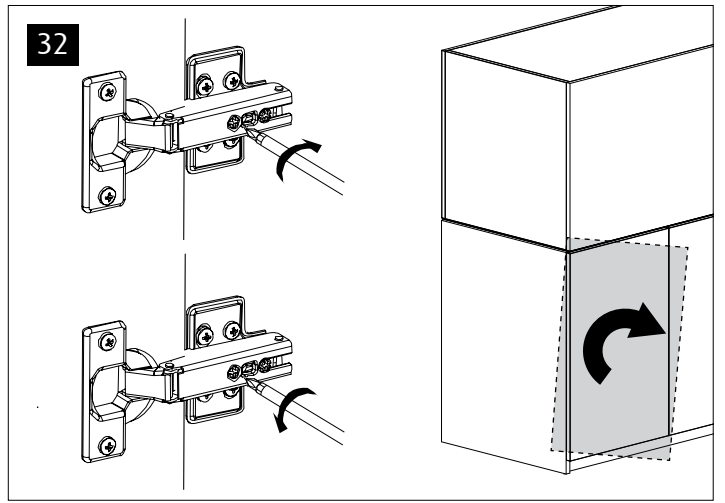
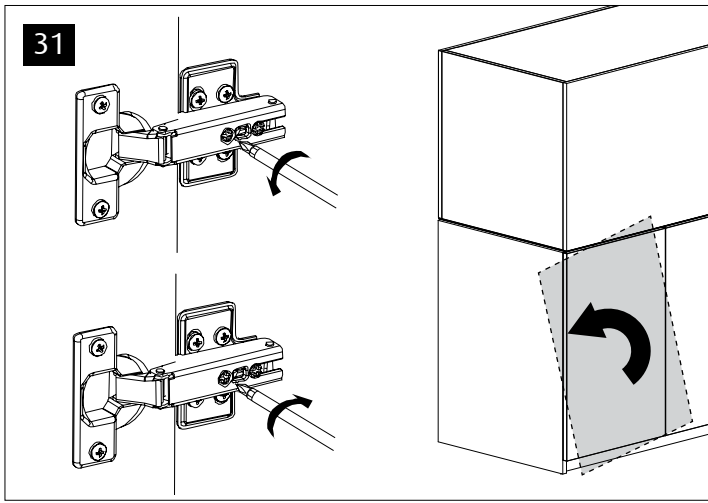
29



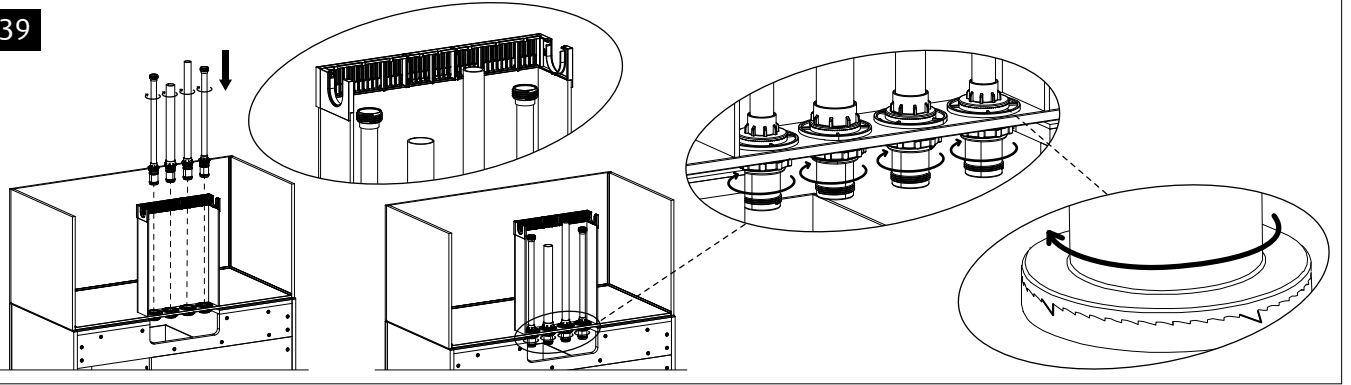
30



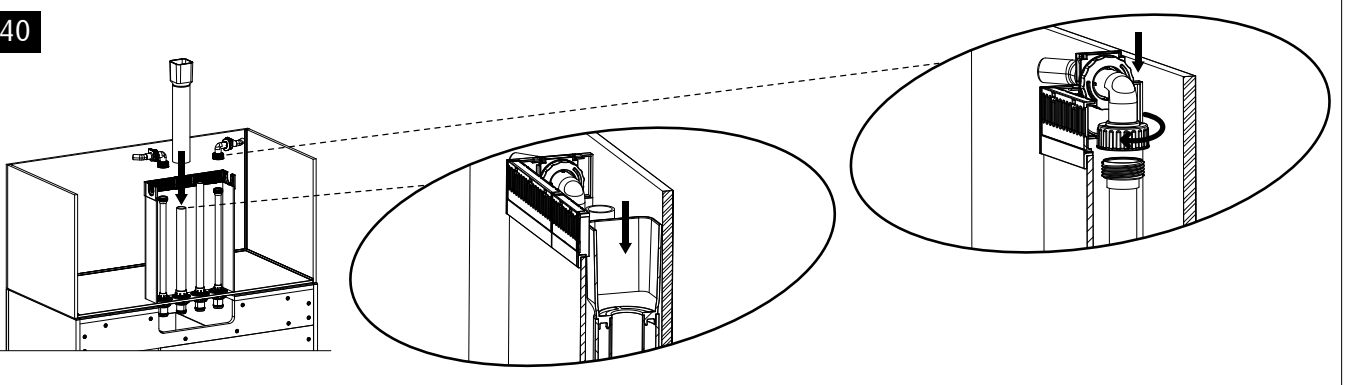
1CM



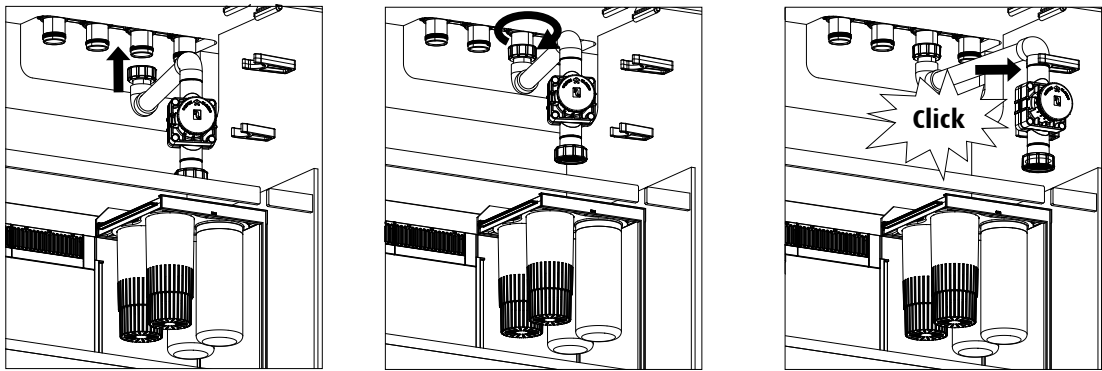
39



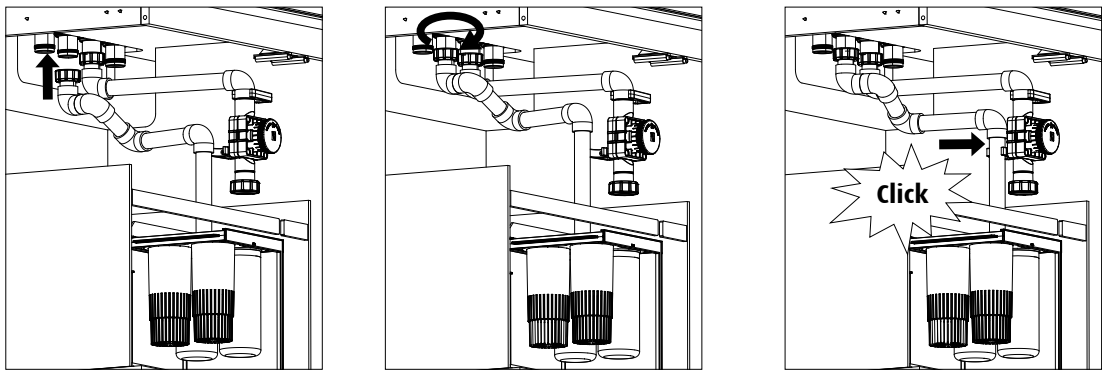
40



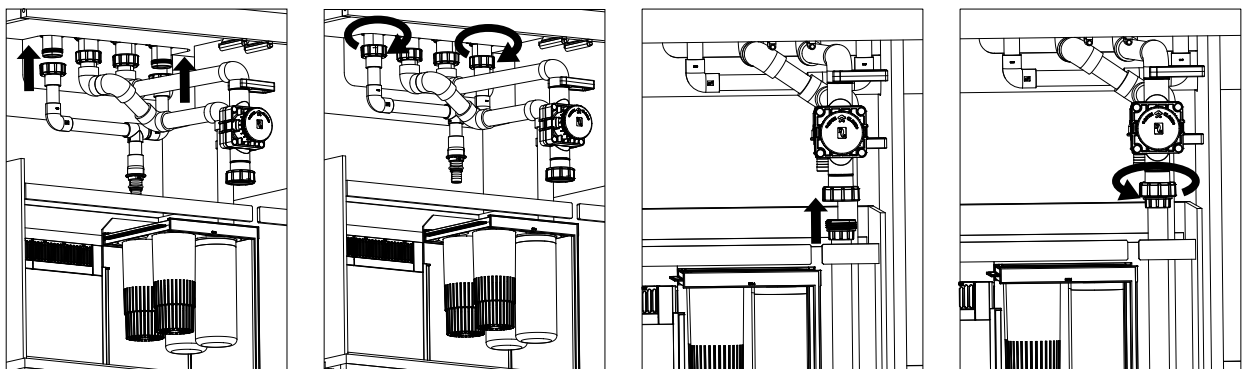
41



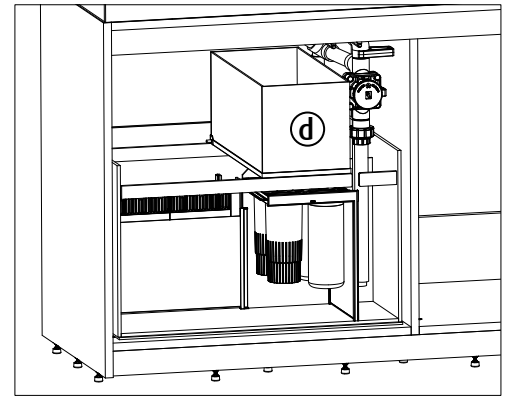
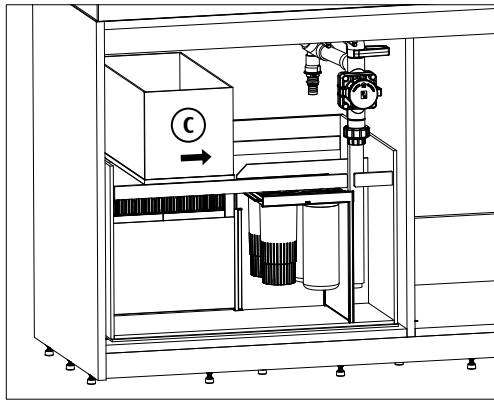
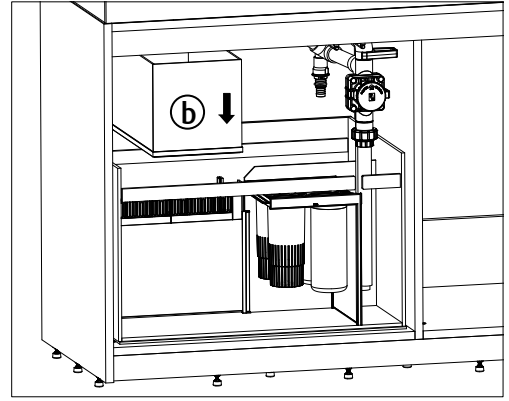
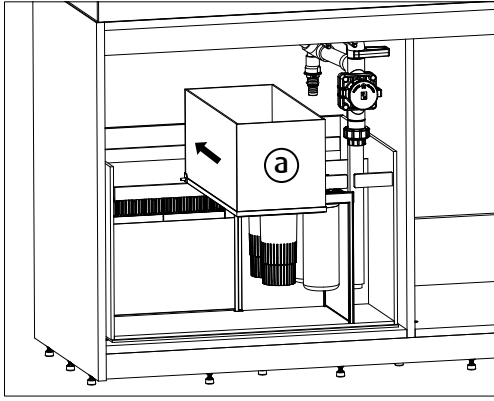
42



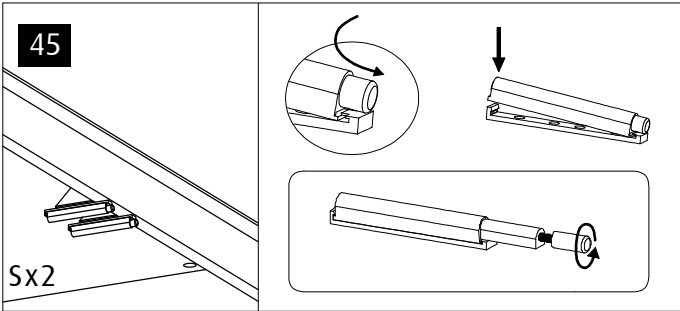
43



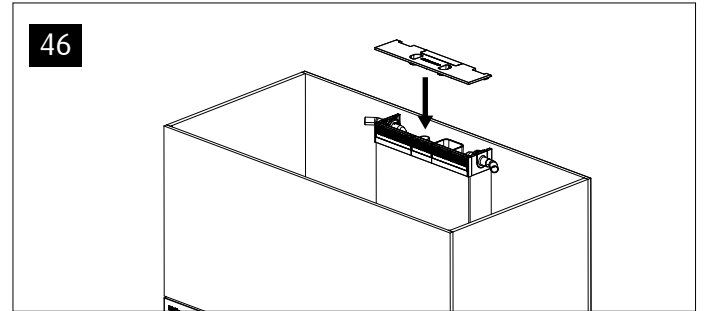
44



45

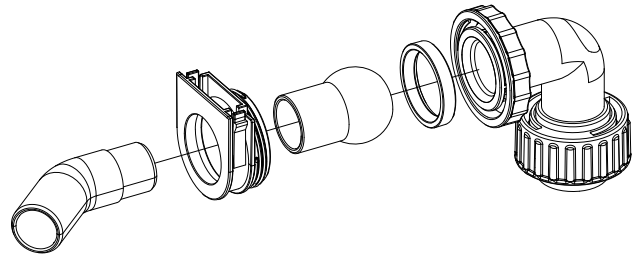
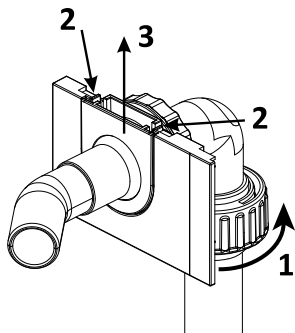


46



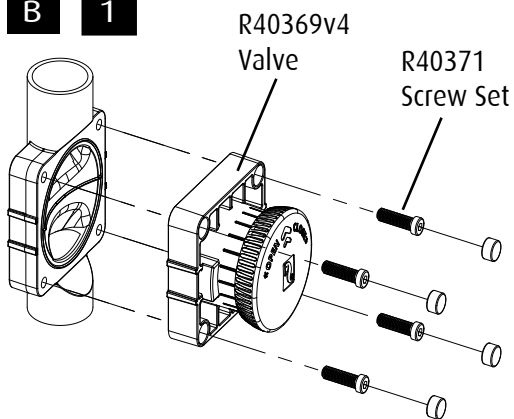
MAINTENANCE

A

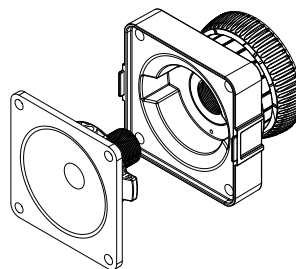


B

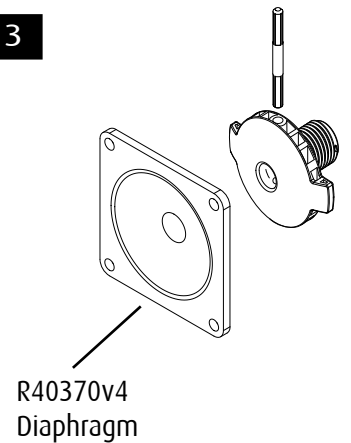
1



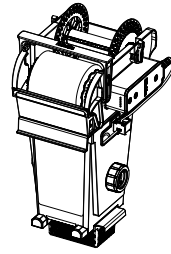
2



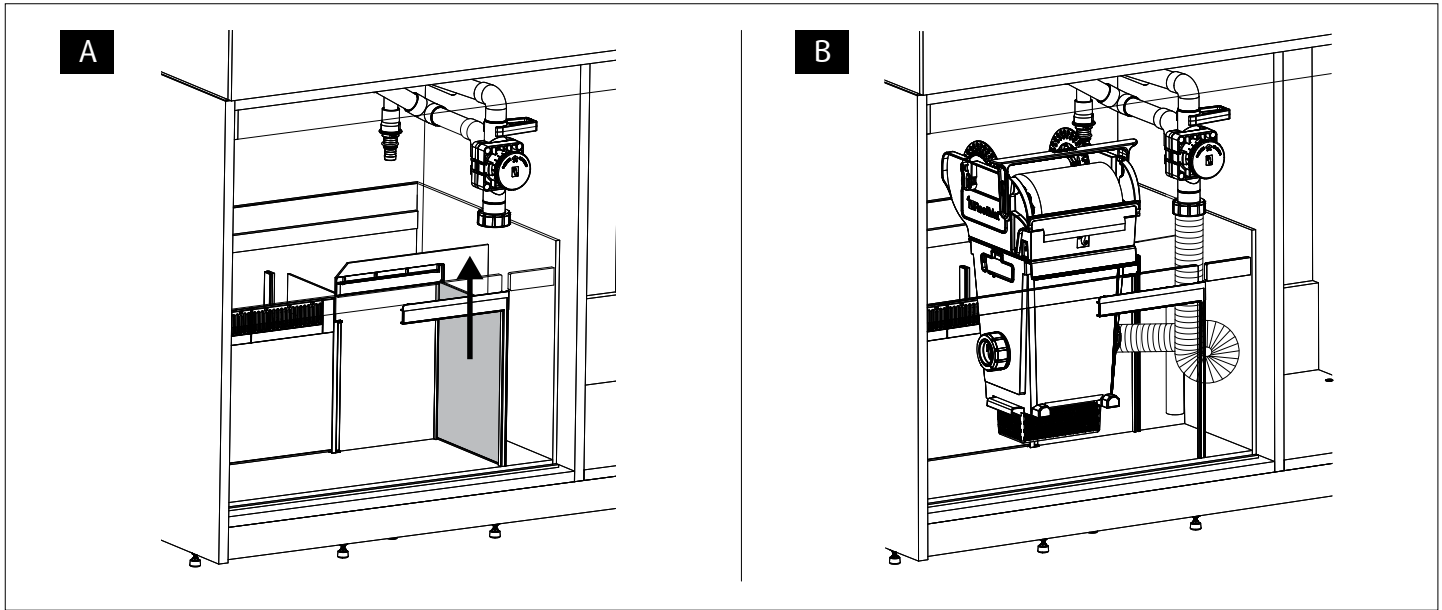
3



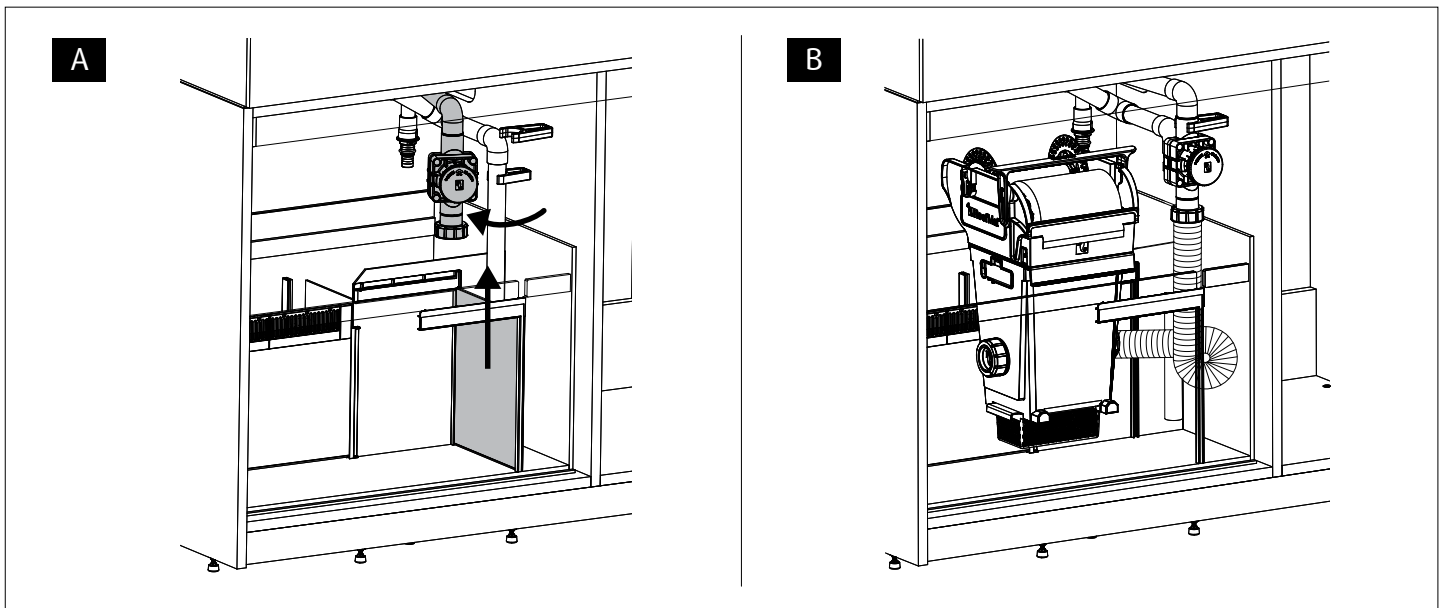
ReefMat®



350 G2



425 G2



#6635G2_REEFER 350 / 425 Cabinet & Aquarium Manual_V22a

Europe

Red Sea Europe
655 Rue des Frères Lumière
27130 Verneuil d'Avre et d'Iton,
France
support.fr@redseafish.com

UK & Ireland

Red Sea Aquatics (UK) Ltd
PO Box 1237
Cheddar, BS279AG
uk.info@redseafish.com

North America

Red Sea U.S.A & Canada
4687 World Houston
Parkway #200
Houston, TX 77032, U.S.A
support.usa@redseafish.com

Germany & Austria

Red Sea Deutschland
Büro Deutschland
Prinzenallee 7 (Prinzenpark)
40549 Düsseldorf
support.de@redseafish.com

China

Red Sea Aquatics (GZ) Ltd.
Block A3, No.33 Hongmian Road,
Xinhua Industrial Park,
Huadu District, Guangzhou City,
China, Postal code 510800.
Tel: +86-020-6625 3828
info.china@redseafish.com

Red Sea
www.redseafish.com